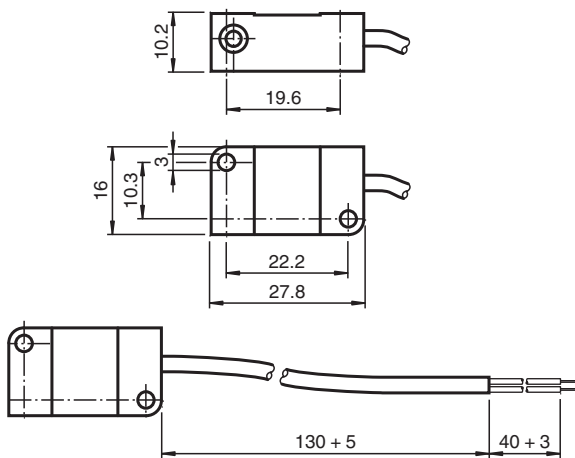


Inductive sensor NJ2-V3-N-Y220141

■ Comfort series



Dimensions



Technical Data

General specifications

Switching function		Normally closed (NC)
Output type		NAMUR
Rated operating distance	s_n	2 mm
Installation		flush
Assured operating distance	s_a	0 ... 1.62 mm
Reduction factor r_{Al}		0.25
Reduction factor r_{Cu}		0.2
Reduction factor r_{304}		0.7
Output type		2-wire

Nominal ratings

Nominal voltage	U_o	8.2 V (R_i approx. 1 k Ω)
Switching frequency	f	0 ... 1000 Hz
Hysteresis	H	0.01 ... 0.1 mm
Current consumption		
Measuring plate not detected		min. 3 mA
Measuring plate detected		≤ 1 mA

Compliance with standards and directives

Standard conformity		
NAMUR		EN 60947-5-6:2000

Release date: 2020-12-15 Date of issue: 2020-12-15 Filename: 220141_eng.pdf

Refer to "General Notes Relating to Pepperl+Fuchs Product Information".

Pepperl+Fuchs Group
www.pepperl-fuchs.com

USA: +1 330 486 0001
fa-info@us.pepperl-fuchs.com

Germany: +49 621 776 1111
fa-info@de.pepperl-fuchs.com

Singapore: +65 6779 9091
fa-info@sg.pepperl-fuchs.com

PEPPERL+FUCHS

Technical Data

Standards	EN 60947-5-2:2007 EN 60947-5-2/A1:2012 IEC 60947-5-2:2007 IEC 60947-5-2 AMD 1:2012
Approvals and certificates	
IECEX approval	
Equipment protection level Ga	IECEX PTB 11.0021X
Equipment protection level Gb	IECEX PTB 11.0021X
Equipment protection level Da	IECEX PTB 11.0021X
Equipment protection level Mb	IECEX PTB 11.0021X
ATEX approval	
Equipment protection level Ga	PTB 00 ATEX 2032 X
Equipment protection level Gb	PTB 00 ATEX 2032 X
Equipment protection level Da	PTB 00 ATEX 2032 X
UL approval	
Ordinary Location	E87056
Hazardous Location	E501628
Control drawing	116-0451
CSA approval	cCSAus Listed, General Purpose
CCC approval	
Hazardous Location	2020322315002302
NEPSI approval	
NEPSI certificate	GYJ16.1394X
Ambient conditions	
Ambient temperature	-25 ... 100 °C (-13 ... 212 °F)
Mechanical specifications	
Connection type	cablc PVC , 170 mm
Core cross-section	0.14 mm ²
Housing material	PBT
Sensing face	PBT
Degree of protection	IP67
Cable	
Bending radius	> 10 x cable diameter
General information	
Use in the hazardous area	see instruction manuals

Connection

