

Female connector, field-attachable

V1-W-BK

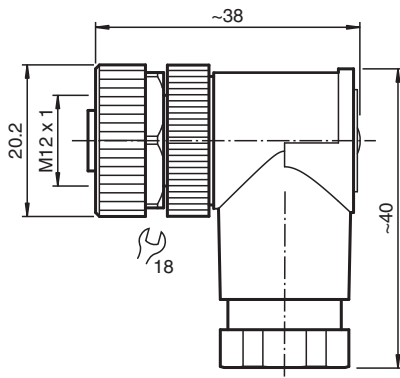


- Field-attachable
- Metal locking
- Knurled nut suitable for tool assembly
- cURus approval

Female connector M12 angled A-coded 4-pin, for cable diameter 4 - 6 mm, field-attachable



Dimensions



Technical Data

General specifications

Connector 1	
Connection	socket
Construction type	M12
Style	angled
Locking	screw connection
Number of pins	4
Coding	A-coded
Customization	Coding rotateable in steps of 90°

Electrical specifications

Operating voltage	U_B	max. 250 V AC/DC
Operating current	I_B	max. 4 A
Insulation resistance		min. 100 MΩ

Conformity

Degree of protection	EN 60529
Plug connection	connector M12 x 1 : IEC 61076-2-101

Approvals and certificates

UL File Number	E363587
----------------	---------

Ambient conditions

Ambient temperature	-40 ... 85 °C (-40 ... 185 °F)
---------------------	--------------------------------

Release date: 2025-01-31 Date of issue: 2025-01-31 Filename: 224884_eng.pdf

Refer to "General Notes Relating to Pepperl+Fuchs Product Information".

Technical Data

Pollution degree		3
Mechanical specifications		
Plug connector		
Tightening torque		0.6 Nm
Tool installation		straight knurling , hexagon nut SW = 18 mm
Mating cycles		min. 50
Degree of protection		IP67
Connection		screw terminals for max. 0.75 mm ² / AWG 18
Cable		
Sheath diameter		4 ... 6 mm
Core cross section		0.75 mm ² / 18 AWG max.
Mass		23.19 g
Material		
Plug connector		
Screw connection		CuZn, nickel-plated
Body		PA, black
Contact surface		CuSnZn

Connection Assignment

