

Female connector, field-attachable

V3-GM

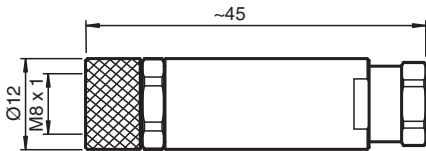


- Screw terminal connection
- Metal locking
- UL Recognized Component

Female connector M8 straight A-coded 3-pin, for cable diameter 3,5 - 5 mm, field-attachable



Dimensions



Technical Data

General specifications

Connector 1		
Connection		socket
Construction type		M8
Style		straight
Locking		screw connection
Number of pins		3
Coding		A-coded

Electrical specifications

Operating voltage	U _B	max. 30 V AC/DC
Operating current	I _B	max. 4 A

Conformity

Degree of protection		EN 60529
Plug connection		connector M8 x 1 : IEC 61076-2-104

Approvals and certificates

UL File Number		E363587
----------------	--	---------

Ambient conditions

Ambient temperature		-40 ... 85 °C (-40 ... 185 °F)
Pollution degree		3

Mechanical specifications

Plug connector		
Tightening torque		0.5 Nm
Tool installation		cross-hatched knurling
Mating cycles		min. 100
Degree of protection		IP67
Connection		screw terminals for 0.14 ... 0.5 mm ² / AWG 26 ... AWG 20

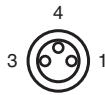
Release date: 2024-06-03 Date of issue: 2024-06-08 Filename: 229287_eng.pdf

Refer to "General Notes Relating to Pepperl+Fuchs Product Information".

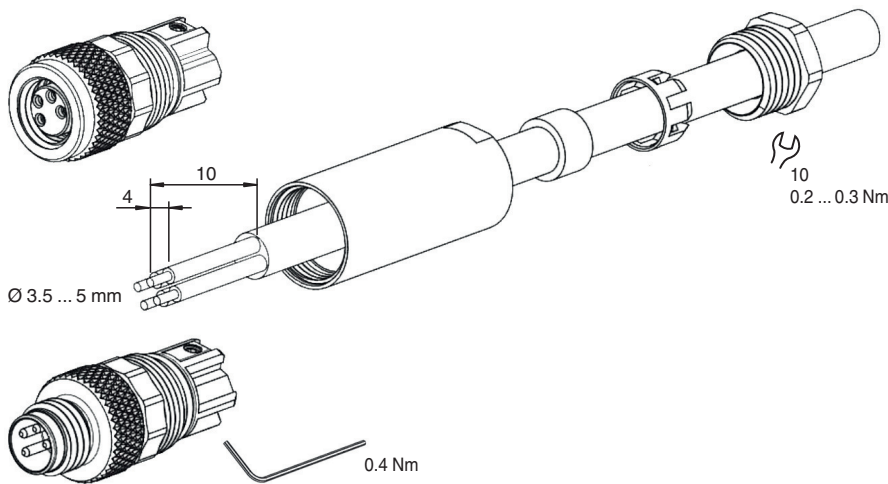
Technical Data

Cable	
Sheath diameter	3.5 ... 5 mm
Core cross section	0.5 mm ² / 20 AWG max.
Installation	screw terminals 0.4 Nm pressure nut 0.2 ... 0.3 Nm
Mass	12.28 g
Material	
Plug connector	
Screw connection	CuZn, nickel-plated
Body	PBT, black
Contact surface	gold plated (Au)

Connection Assignment



Connection



Release date: 2024-06-03 Date of issue: 2024-06-08 Filename: 229287_eng.pdf