



### Model Number

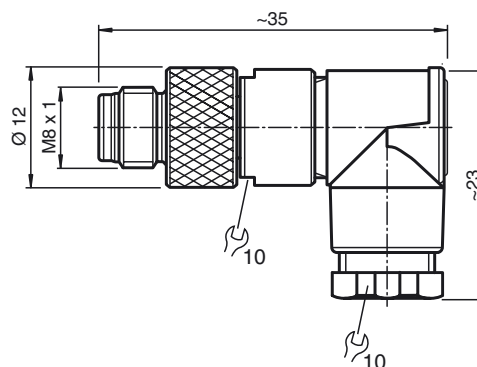
**V3S-WM**

Field-attachable male connector, M8, 3-pin

### Features

- Solder connection
- Metal locking
- Gold plated contacts

### Dimensions



### Technical data

#### General specifications

Number of pins	3
Connection 1	Male connector
Construction type 1	right angle
Threading 1	M8

#### Electrical specifications

Operating voltage	$U_B$	max. 60 V AC/DC
Operating current		max. 4 A
Volume resistance		< 3 m $\Omega$

#### Ambient conditions

Ambient temperature	-40 ... 85 °C (-40 ... 185 °F)
Pollution Degree	3

#### Mechanical specifications

Protection degree	IP67
Connection	1 x M8 straight connector Solder connection for max. 0.25 mm <sup>2</sup>

#### Material

Contacts	CuZn
Contact surface	Au
Connector	CuZn, nickel-plated
Body	PBT
Cable	
Sheath diameter	3.5 ... 5 mm
Flammability	
Contact material	UL 94 HB

### Electrical connection

