



Terminal resistor VAZ-G10-TERM

- Ultra-compact enclosure
- Extension of strand length to over 200 m
- Two different impedances integrated
- Suitable for all topologies
- Two-stage voltage monitor and display for AS-Interface and AUX
- Gold-plated and machined contacts
- Degree of protection IP68 / IP69K

Passive bus termination G10



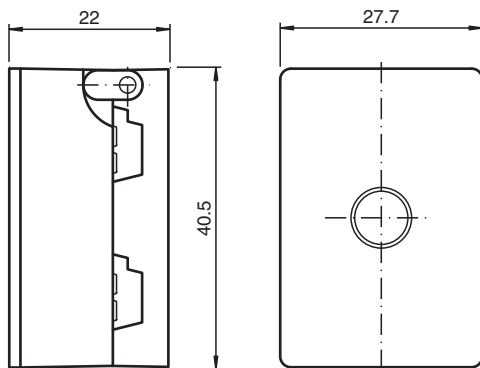
Function

The passive terminator VAZ-G10-TERM in the G10-design contains 2 different bus terminations in one housing. The terminator allows the extension of the possible length of an ASi line from 100 m to 200 m. With the two terminating resistors all topologies of an AS-Interface network can be terminated. The terminator improves the signal quality and monitors the voltage on the ASi line. Two LEDs per terminator monitor the status of each supply voltage. On the bus termination, the voltage is shown in 2 stages. The free flat cable channel can be used to monitor the external power supply UAUX.

Application

- Installation at the point in the AS-Interface line furthest away from the power supply unit.
- Use only one terminating resistor per ASi line even in branched networks.
- The Z1 terminator provides the correct impedance for most topologies.
- Z1 is connected to the ASi line by default.
- The terminating resistor Z2 is used alternatively if Z1 does not achieve the required signal quality improvement.

Dimensions



Technical Data

General specifications

AS-Interface specification	V3.0
UL File Number	E223772 "For use in NFPA 79 Applications only"

Indicators/operating means

LED green	AS-Interface voltage > 26 V: LED lights
LED yellow	AS-Interface voltage > 18.5 V: LED lights

Electrical specifications

Rated operating voltage	U_e	18.5 ... 31.6 V
-------------------------	-------	-----------------

Release date: 2025-02-25 Date of issue: 2025-02-25 Filename: 236038_eng.pdf

Refer to "General Notes Relating to Pepperl+Fuchs Product Information".

Pepperl+Fuchs Group
www.pepperl-fuchs.com

USA: +1 330 486 0001
fa-info@us.pepperl-fuchs.com

Germany: +49 621 776 1111
fa-info@de.pepperl-fuchs.com

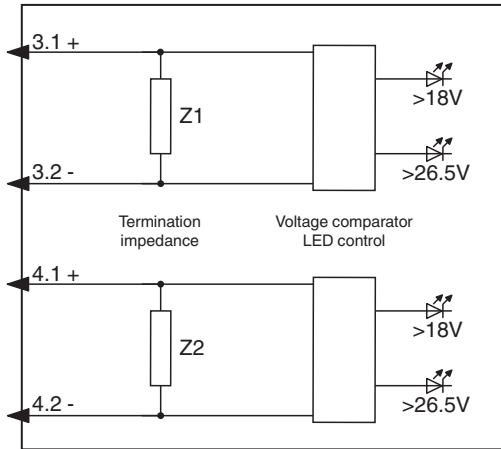
Singapore: +65 6779 9091
fa-info@sg.pepperl-fuchs.com

PF PEPPERL+FUCHS

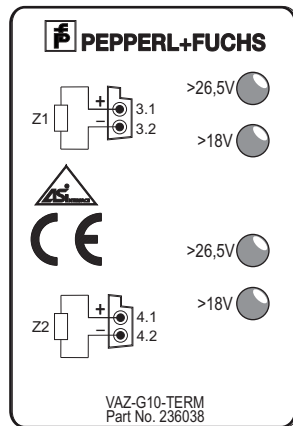
Technical Data

Rated operating current	I_e	≤ 15 mA per connection
Protection class		III
Directive conformity		
Electromagnetic compatibility		
Directive 2014/30/EU		EN 62026-2:2013+A1:2019
Compliance with standards and directives		
Directive conformity		
EMC Directive 2004/108/EC		
Standard conformity		
Degree of protection		EN 60529:2000
Fieldbus standard		EN 62026-2:2013+A1:2019
Emitted interference		EN 61000-6-4:2007
AS-Interface		EN 62026-2:2013+A1:2019
Noise immunity		EN 61000-6-2:2019 , EN 61326-1:2021 , EN 62026-2:2013+A1:2019
Approvals and certificates		
UL approval		cULus Listed, Type 1 enclosure
Maximum permissible ambient temperature		max. 65 °C (max. 149 °F)
Ambient conditions		
Ambient temperature		-25 ... 70 °C (-13 ... 158 °F)
Storage temperature		-25 ... 85 °C (-13 ... 185 °F)
Shock and impact resistance		30 g, 11 ms in 6 spatial directions 3 shocks 10 g, 16 ms in 6 spatial directions 1000 shocks
Vibration resistance		0.75 mm 10 ... 57 Hz , 5 g 57 ... 150 Hz, 20 cycles
Mechanical specifications		
Degree of protection		IP67 IP67 / IP68 / IP69K with flat cable VAZ-FK-S-*
Connection		via Flat cable
Material		
Housing		PBT PC
Mounting screw		Stainless steel 1.4305 / AISI 303
Mass		100 g
Tightening torque, fastening screws		1.65 Nm

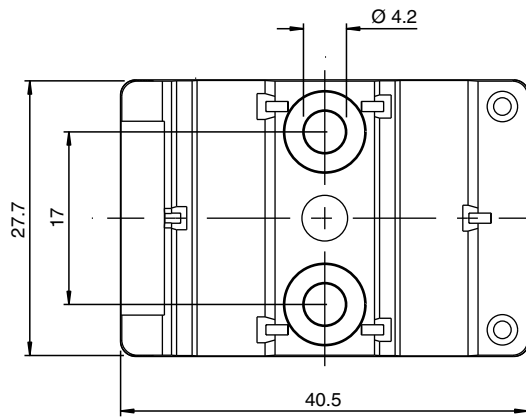
Connection



Assembly



Release date: 2025-02-25 Date of issue: 2025-02-25 Filename: 236038_eng.pdf

Mounting

You may screw the device onto a level mounting surface using two M4 attachment screws. The attachment screws are not included.