



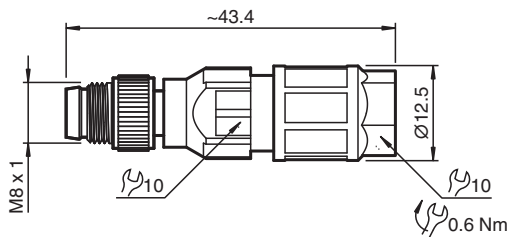
## Male connector, field-attachable V3S-GM-Q4

- Insulation displacement connection
- Metal locking
- Knurled nut suitable for tool assembly
- cURus approval

Male connector M8 straight A-coded 3-pin, for cable diameter 2,5 - 5 mm, field-attachable, insulation displacement connection



### Dimensions



### Technical Data

General specifications			
Connector 1			
Connection		plug	
Construction type		M8	
Style		straight	
Locking		screw connection	
Number of pins		3	
Coding		A-coded	
Electrical specifications			
Operating voltage	$U_B$	max. 48 V AC / 60 V DC	
Operating current	$I_B$	max. 4 A	
Volume resistance		< 5 m $\Omega$	
Insulation resistance		min. 100 M $\Omega$	
Conformity			
Degree of protection		EN 60529	
Plug connection		connector M8 x 1 : IEC 61076-2-104	

Release date: 2023-06-01 Date of issue: 2023-06-01 Filename: 258193\_eng.pdf

Refer to "General Notes Relating to Pepperl+Fuchs Product Information".

Pepperl+Fuchs Group  
www.pepperl-fuchs.com

USA: +1 330 486 0001  
fa-info@us.pepperl-fuchs.com

Germany: +49 621 776 1111  
fa-info@de.pepperl-fuchs.com

Singapore: +65 6779 9091  
fa-info@sg.pepperl-fuchs.com

**PF** PEPPERL+FUCHS

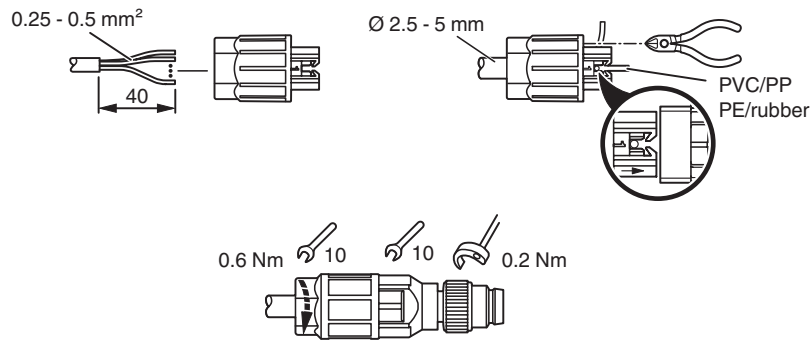
## Technical Data

Approvals and certificates		
UL approval		E191152
Maximum permissible operating voltage		max. 29 V
Ambient conditions		
Ambient temperature		-25 ... 80 °C (-13 ... 176 °F)
Pollution degree		3
Mechanical specifications		
Plug connector		
Tightening torque		0.2 Nm
Tool installation		straight knurling
Mating cycles		min. 100
Degree of protection		IP65/IP67
Connection		Insulation displacement connection for 0.25 ... 0.5 mm <sup>2</sup> / AWG 24 ... AWG 20
Cable		
Sheath diameter		2.5 ... 5 mm
Cores		Cross-section: 0.25 ... 0.5 mm <sup>2</sup>
Mass		8.2 g
Mounting		max. tightening torque on the coupling nut: ≤ 0.6 Nm
Material		
Plug connector		
Screw connection		Zinc diecast, nickel-plated
Body		PA 66, black
Seal		NBR
Contact surface		Ni/Au
Flammability		HB
Cable		
Core insulation		PVC/PE/PP



## Connection Assignment



## Connection



## Accessories

	<b>MH V3-SCREWDRIVER</b>	Torque screwdriver (0.4 Nm)
	<b>MH V3-BIT M8</b>	plug-in cap for M8