



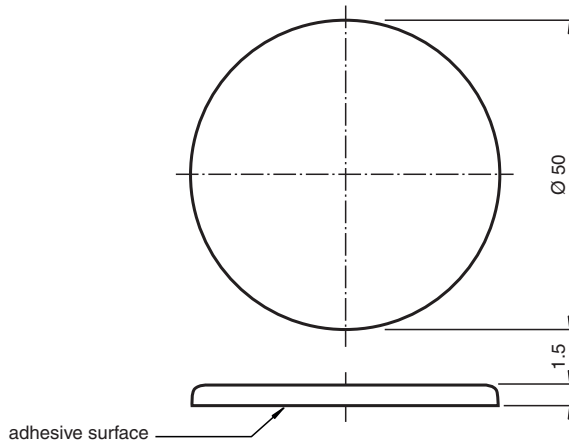
RFID Transponder IPC11-50CD 10pcs

- Battery-free data carrier
- 40 bit fixcode free programmable
- Readable from both sides
- Degree of protection IP67
- Self-adhesive mounting
- Packaging unit: 10 pieces

Data carrier



Dimensions



Technical Data

General specifications	
Operating frequency	125 kHz
Transfer rate	2 kBit/s
Memory	
Chip Type	Q5 (Atmel)
EEPROM	40 Bit
Read cycles	unlimited
Directive conformity	
Radio equipment	
Directive 2014/53/EU	EN 300330
RoHS	
Directive 2011/65/EU (RoHS)	IEC/EN 63000
Standard conformity	
Degree of protection	EN 60529
RFID	ISO/IEC 18000-2
Ambient conditions	
Ambient temperature	-25 ... 70 °C (-13 ... 158 °F)

Release date: 2022-12-15 Date of issue: 2022-12-15 Filename: 261642_eng.pdf

Refer to "General Notes Relating to Pepperl+Fuchs Product Information".

Pepperl+Fuchs Group
www.pepperl-fuchs.com

USA: +1 330 486 0001
fa-info@us.pepperl-fuchs.com

Germany: +49 621 776 1111
fa-info@de.pepperl-fuchs.com

Singapore: +65 6779 9091
fa-info@sg.pepperl-fuchs.com

 PEPPERL+FUCHS

Technical Data

Storage temperature	-40 ... 85 °C (-40 ... 185 °F)	
Mechanical specifications		
Housing height	2 mm	
Housing diameter	50 mm	
Degree of protection	IP67	
Material		
Housing	ROYALPLAST, transparent, soft	
Installation		
In air	yes	
Construction type	Label	
Note	Packaging unit, 10-piece	

Application

The transponder can be read and written from either side.

Release date: 2022-12-15 Date of issue: 2022-12-15 Filename: 261642_eng.pdf

Refer to "General Notes Relating to Pepperl+Fuchs Product Information".

Pepperl+Fuchs Group
www.pepperl-fuchs.com

USA: +1 330 486 0001
fa-info@us.pepperl-fuchs.com

Germany: +49 621 776 1111
fa-info@de.pepperl-fuchs.com

Singapore: +65 6779 9091
fa-info@sg.pepperl-fuchs.com