

Optical reading head

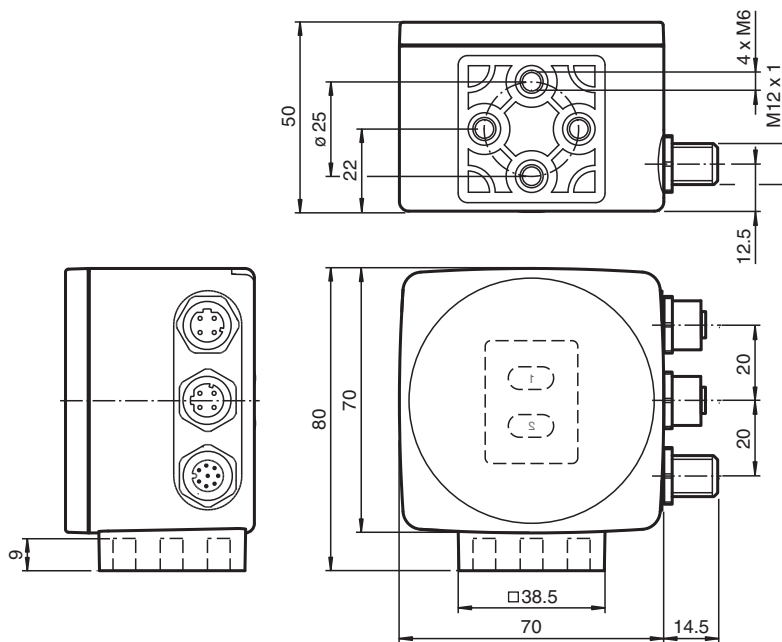
PCV100-F200-B25-V1D-6011

- Non-contact positioning on Data Matrix code tape
- Mechanically rugged: no wearing parts, long operating life, maintenance-free
- High resolution and precise positioning, especially for facilities with curves and switch points as well as inclines and declines.
- Travel ranges up to 10 km, in X and Y direction
- Integrated switch
- EtherNet/IP

Read head for incident light positioning system



Dimensions



Technical Data

General specifications

Passage speed	v	≤ 6 m/s
Measuring range		max. 10000 m
Light type		Integrated LED lightning (red)
Scan rate		40 s ⁻¹
Read distance		100 mm
Depth of focus		± 40 mm
Reading field		60 mm x 40 mm
Ambient light limit		100000 Lux
Resolution		± 0.1 mm

Release date: 2024-02-07 Date of issue: 2024-02-07 Filename: 262163_eng.pdf

Refer to "General Notes Relating to Pepperl+Fuchs Product Information".

Pepperl+Fuchs Group
www.pepperl-fuchs.com

USA: +1 330 486 0001
fa-info@us.pepperl-fuchs.com

Germany: +49 621 776 1111
fa-info@de.pepperl-fuchs.com

Singapore: +65 6779 9091
fa-info@sg.pepperl-fuchs.com

PEPPERL+FUCHS

Technical Data

Nominal ratings			
Camera			
Type		CMOS , Global shutter	
Processor			
Clock pulse frequency		600 MHz	
Speed of computation		4800 MIPS	
Digital resolution		32 Bit	
Functional safety related parameters			
MTTF _d		99 a	
Mission Time (T _M)		20 a	
Diagnostic Coverage (DC)		0 %	
Indicators/operating means			
LED indication		7 LEDs (communication, alignment aid, status information)	
Electrical specifications			
Operating voltage	U _B	15 ... 30 V DC , PELV	
No-load supply current	I ₀	max. 400 mA	
Power consumption	P ₀	6 W	
Interface			
Interface type		100 BASE-TX	
Protocol		EtherNet/IP	
Transfer rate		100 MBit/s	
Interface 2			
Interface type		USB Service	
Input			
Input type		1 function input 0-level: -U _B or unwired 1-level: +8 V ... +U _B , programmable	
Input impedance		≥ 27 kΩ	
Output			
Output type		1 to 3 switch outputs , programmable , short-circuit protected	
Switching voltage		Operating voltage	
Switching current		150 mA each output	
Standard conformity			
Emitted interference		EN 61000-6-4:2007+A1:2011	
Noise immunity		EN 61000-6-2:2005	
Shock resistance		EN 60068-2-27:2009	
Vibration resistance		EN 60068-2-6:2008	
Approvals and certificates			
CCC approval		CCC approval / marking not required for products rated ≤36 V	
Ambient conditions			
Operating temperature		0 ... 60 °C (32 ... 140 °F) , -20 ... 60 °C (-4 ... 140 °F) (noncondensing; prevent icing on the lens!)	
Storage temperature		-20 ... 85 °C (-4 ... 185 °F)	
Relative humidity		90 % , noncondensing	
Mechanical specifications			
Connection type		8-pin, M12x1 connector, standard (supply+IO) 4-pin, M12x1 socket, D-coded (LAN) 4-pin, M12x1 socket, D-coded (LAN)	
Degree of protection		IP67	
Material			
Housing		PC/ABS	
Mass		approx. 200 g	
Dimensions			
Height		70 mm	
Width		70 mm	

Release date: 2024-02-07 Date of issue: 2024-02-07 Filename: 262163_eng.pdf

Refer to "General Notes Relating to Pepperl+Fuchs Product Information".

 Pepperl+Fuchs Group
www.pepperl-fuchs.com

 USA: +1 330 486 0001
fa-info@us.pepperl-fuchs.com

 Germany: +49 621 776 1111
fa-info@de.pepperl-fuchs.com

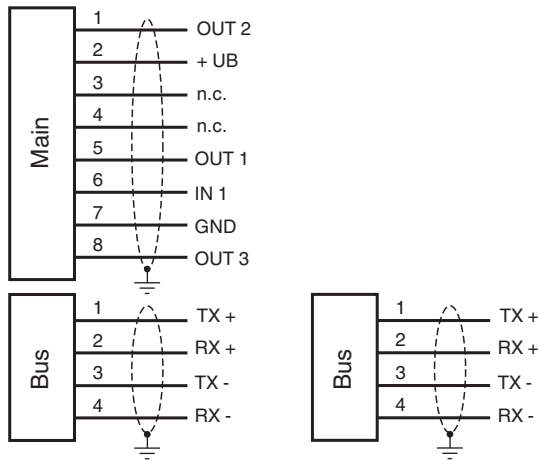
 Singapore: +65 6779 9091
fa-info@sg.pepperl-fuchs.com

 **PEPPERL+FUCHS**

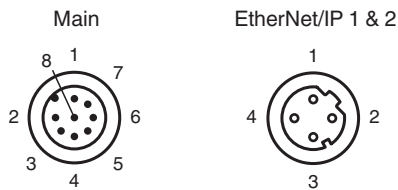
Technical Data

Depth	50 mm
-------	-------

Connection

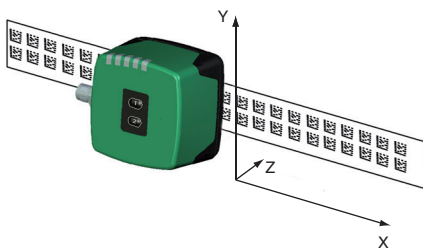


Connection Assignment



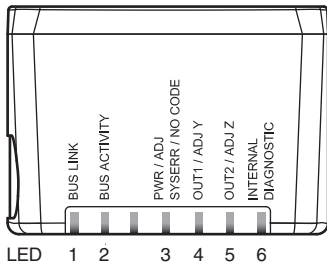
Characteristic Curve

Coordinates



Release date: 2024-02-07 Date of issue: 2024-02-07 Filename: 262163_eng.pdf

Characteristic Curve



Release date: 2024-02-07 Date of issue: 2024-02-07 Filename: 262163_eng.pdf

Refer to "General Notes Relating to Pepperl+Fuchs Product Information".

Pepperl+Fuchs Group
www.pepperl-fuchs.com

USA: +1 330 486 0001
fa-info@us.pepperl-fuchs.com

Germany: +49 621 776 1111
fa-info@de.pepperl-fuchs.com

Singapore: +65 6779 9091
fa-info@sg.pepperl-fuchs.com

 **PEPPERL+FUCHS**

Additional Information

General

The reading head is part of the positioning system in the method for measurement by Pepperl+Fuchs. It consists of a camera module and an integrated illumination unit among other things. The reading head detects position marks, which are put on an adhesive code band in the form of Data Matrix code. The mounting of the code band is as a rule stationary on a firm part of the plant (elevator shaft, overhead conveyor mounting rails...); that of the reading head is parallel on the moving "vehicle" (elevator car, overhead conveyor chassis...).

Mounting and commissioning

Mount the reading head such that its optical surface captures the optimal read distance to the code band (see Technical Data). The stability of the mounting and the guidance of the vehicle must be provided such that the depth of field of the reading head is not closed during operation. All reading heads can be optimally customized by parameterization for specific requirements.

Displays and Controls

The reading head allows visual function check and fast diagnosis with 6 indicator LEDs. The reading head has 2 buttons on the reverse of the device to activate the alignment aid and parameterization mode.

LEDs

LED	Color	Label	Meaning
1	green	BUS LINK	Communication status
2	yellow	BUS ACTIVITY	Data transfer
3	red / green	PWR / ADJ SYSERR / NO CODE	Code recognized / not recognized, Error
4	yellow	OUT1/ADJ Y	Output 1, Alignment aid Y
5	yellow	OUT2/ADJ Z	Output 2, Alignment aid Z
6	red/green/yellow	INTERNAL DIAGNOSTIC	Internal diagnostics

Alignment aid for the Y and Z coordinates

The activation of the alignment aid is only possible within 10 minutes of switching on the reading head. The switchover from normal operation to "alignment aid operating mode" is via button 1 on the reverse of the reading head.

- Press the button 1 for longer than 2 s. LED3 flashes green for a recognized code band. LED3 flashes red for an unrecognized code band.
- **Z coordinate:** If the distance of the camera to the code band is too small, the yellow LED5 lights up. If the distance of the camera to the code band is too large, the yellow LED5 lights up. Within the target range, the yellow LED5 flashes at the same time as the green LED3.
- **Y coordinate:** If the optical axis of the camera is too deep in relation to the middle of the code band, the yellow LED4 lights up. If the optical axis is too high, the yellow LED4 extinguishes. Within the target range, the yellow LED4 flashes at the same time as the green LED3.
- A short press on button 1 ends the alignment aid and the reading head changes to normal operation.