



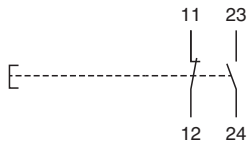
Control Unit Ex e, GRP, Pushbutton LCP1.PRMX.B.1

- Pushbutton red - 1x NO / 1x NC - labeling '0'
- Glass-fiber reinforced polyester (GRP) enclosure
- Ex de and Ex tb certified
- Installation in Zone 1, Zone 2, Zone 21 and Zone 22
- Top face stopping plug polyamide, 1x M20; bottom face cable gland polyamide, 1x M20
- Degree of protection IP66

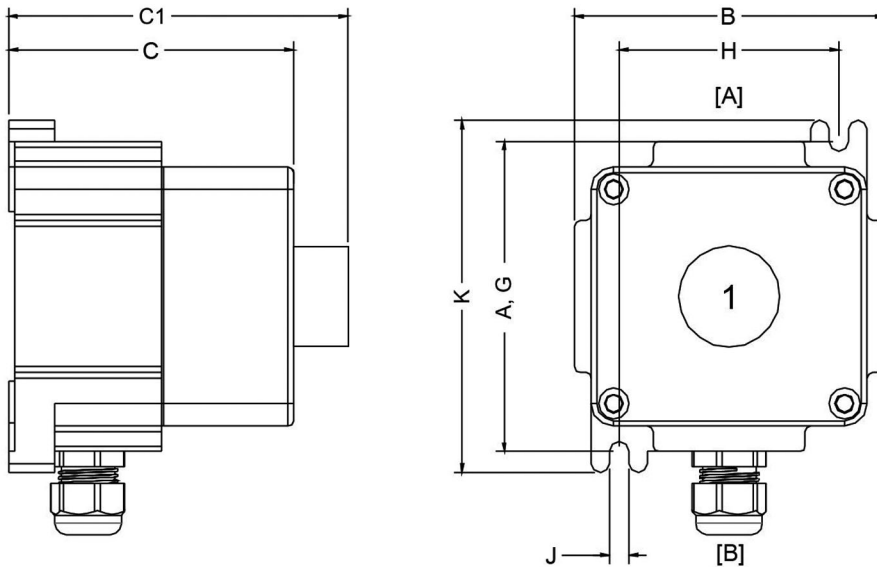


Connection

	11	23
0	X	
I		X
	12	24



Dimensions



Dimension values see data table.

Image and drawing are generic for this device type and may deviate from the specific variant.

Legend	
A	Height
B	Width
C	Depth
C1	Depth with operating element
G	Mounting holes distance, vertical
H	Mounting holes distance, horizontal
J	Mounting holes diameter
K	Maximum external dimension with mounting brackets
[A] ... [B]	Cable entry faces

Technical Data

Electrical specifications	
Operating voltage	250 V max.
Operating current	16 A max.
Terminal capacity	2.5 mm ²
Function	push button
Color	red
Contact configuration	1x NO / 1x NC all NC contacts have a direct opening action for emergency stop functions

Release date: 2023-10-04 Date of issue: 2023-10-04 Filename: 265363_eng.pdf

Refer to "General Notes Relating to Pepperl+Fuchs Product Information".

Pepperl+Fuchs Group
www.pepperl-fuchs.com

USA: +1 330 486 0002
pa-info@us.pepperl-fuchs.com

Germany: +49 621 776 2222
pa-info@de.pepperl-fuchs.com

Singapore: +65 6779 9091
pa-info@sg.pepperl-fuchs.com

 PEPPERL+FUCHS

Technical Data

Usage category	AC12 - 12 ... 250 V AC - 16 A AC15 - 12 ... 250 V AC - 10 A DC13 - 12 ... 110 V DC - 1 A DC13 - 12 ... 24 V DC - 1A
Number of poles	2
Labeling	0
Mechanical specifications	
Enclosure range	LCP
Enclosure cover	fully detachable
Cover fixing	stainless steel socket cap head screws
Screws	M6
Number	4
Tightening torque	2 Nm
Degree of protection	IP66
Cable entry face A	
M20 quantity	1
M20 series	Stopping Plugs, Plastic
M20 type	SP.PE.M20.*
Cable entry face B	
M20 quantity	1
M20 series	Cable Glands, Plastic
M20 type	CG.PEDS1.M20.*
M20 clamping range	6 ... 12 mm
Defined entry area	face A and face B
Material	
Enclosure	carbon loaded, antistatic glass-fiber reinforced polyester (GRP)
Finish	inherent color black
Seal	one piece closed cell silicone
Mass	1.5 kg
Dimensions	
Height (A)	110 mm
Width (B)	110 mm
Depth (C)	101 mm
External dimension with operating element (C1)	116 mm
Mounting holes distance (G)	110 mm
Mounting holes distance (H)	78 mm
Mounting holes diameter (J)	7 mm
Maximum external dimension (K)	125 mm
Tightening torque	
Nut torque at enclosure (SW1)	see datasheets of cable glands
Grounding	2.5 mm ² grounding terminal
Ambient conditions	
Ambient temperature	-40 ... 55 °C (-40 ... 131 °F) @ T4 -40 ... 40 °C (-40 ... 104 °F) @ T6
Data for application in connection with hazardous areas	
EU-type examination certificate	CML 16 ATEX 3009X
Marking	⊕ II 2 GD Ex db eb mb IIC T* Gb Ex tb IIIC T** °C Db T6/T80 °C @ Ta +40 °C T4/T130 °C @ Ta +55 °C
International approvals	
IECEx approval	IECEx CML 16.0008X
UKCA approval	CML 22 UKEX 2550X
Further approvals	on request: CCC, ECAS, IA

Release date: 2023-10-04 Date of issue: 2023-10-04 Filename: 265363_eng.pdf

Refer to "General Notes Relating to Pepperl+Fuchs Product Information".

Pepperl+Fuchs Group
www.pepperl-fuchs.comUSA: +1 330 486 0002
pa-info@us.pepperl-fuchs.comGermany: +49 621 776 2222
pa-info@de.pepperl-fuchs.comSingapore: +65 6779 9091
pa-info@sg.pepperl-fuchs.com

PEPPERL+FUCHS

Technical Data

Conformity

Degree of protection	EN 60529
Usage category	IEC / EN 60947
CE marking	0080 or 0102, see type label

General information

Supplementary information	EC-Type Examination Certificate, Statement of Conformity, Declaration of Conformity, Attestation of Conformity and instructions have to be observed where applicable. For information see www.pepperl-fuchs.com .
---------------------------	--

Accessories

Optional accessories	engraved traffolyte tag label engraved AISI 316L stainless steel tag label color in-fill stainless steel tag label
----------------------	--