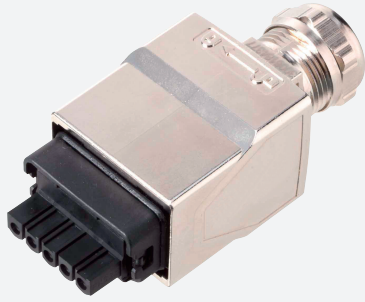


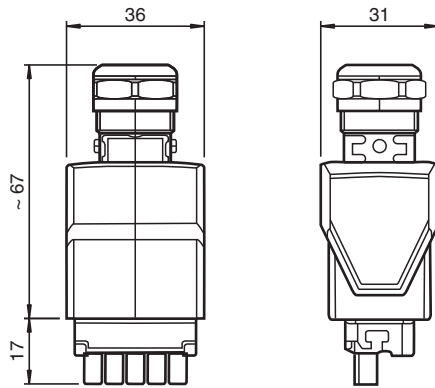
Connector ICZ-AIDA3-MSTB



■ Lockable

MSTB connector, lockable

Dimensions



Technical Data

General specifications		
Number of pins		5
Electrical specifications		
Rated current	I_r	16 A
Nominal voltage		24 V
Ambient conditions		
Ambient temperature		-40 ... 85 °C (-40 ... 185 °F)
Storage temperature		-40 ... 85 °C (-40 ... 185 °F)
Mechanical specifications		
Degree of protection		IP65
Connection		MSTB
Material		
Contacts		Cu alloy
Contact surface		Au
Housing		Zinc die-casting, nickel-plated
Cable		

Release date: 2020-03-24 Date of issue: 2020-03-27 Filename: 303075_eng.pdf

Refer to "General Notes Relating to Pepperl+Fuchs Product Information".

Pepperl+Fuchs Group
www.pepperl-fuchs.com

USA: +1 330 486 0001
fa-info@us.pepperl-fuchs.com

Germany: +49 621 776 1111
fa-info@de.pepperl-fuchs.com

Singapore: +65 6779 9091
fa-info@sg.pepperl-fuchs.com

PF PEPPERL+FUCHS

Technical Data

Sheath diameter	6.5 mm ... 9 mm
Core diameter	0.75 mm ² ... 2.5 mm ² 18 ... 13 AWG
Mass	108.5 g

Release date: 2020-03-24 Date of issue: 2020-03-27 Filename: 303075_eng.pdf

Refer to "General Notes Relating to Pepperl+Fuchs Product Information".

Pepperl+Fuchs Group
www.pepperl-fuchs.comUSA: +1 330 486 0001
fa-info@us.pepperl-fuchs.comGermany: +49 621 776 1111
fa-info@de.pepperl-fuchs.comSingapore: +65 6779 9091
fa-info@sg.pepperl-fuchs.com **PEPPERL+FUCHS**