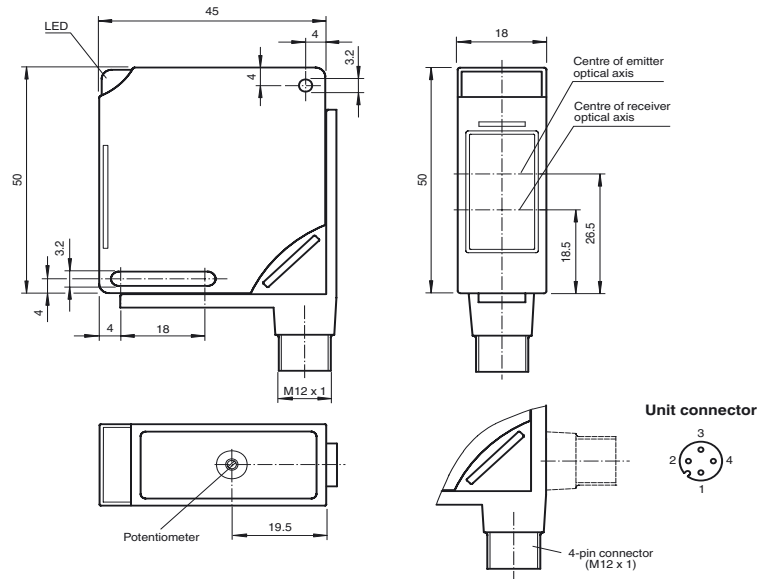




Dimensions



Model Number

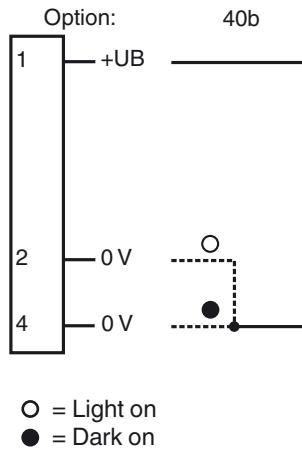
MLV11-54-Ex/40b/112

NAMUR retroreflective sensor, small housing design, 3 m detection range, red light, light/dark on, DC version, NAMUR output, M12 plug

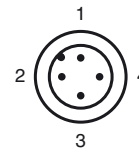
Features

- ATEX approval for zone 1 (Gas)
- Intrinsically safe, Ex op is ia IIC T6 Gb
- Glare protected with polarization filter
- Adjustable sensitivity

Electrical connection



Pinning according



Release date: 2019-11-27 13:58 Date of issue: 2019-11-27 421556_eng.xml

Technical data

General specifications

Effective detection range	0 ... 3 m
Reflector distance	300 ... 3000 mm
Threshold detection range	3 m
Reference target	H85 reflector
Light source	LED
Light type	modulated visible red light , 660 nm
Polarization filter	yes
Ambient light limit	≤ 10000 Lux sun light ≤ 7500 Lux halogen light

Functional safety related parameters

MTTF _d	1319 a
Mission Time (T _M)	20 a
Diagnostic Coverage (DC)	0 %

Indicators/operating means

Function indicator	LED yellow: switching state
Control elements	sensitivity adjustment

Electrical specifications

Operating voltage	U _B	6 ... 15.5 V DC (R _i approx. 0 Ohm)
Ripple		5 %
Power consumption	P ₀	max. 64 mW
Time delay before availability	t _v	20 ms

Output

Switching type	light/dark on, programmable
Signal output	1 NAMUR output NC/NO programmable
Switching voltage	8 V DC (R _i approx. 1 kΩ)
Switching frequency	f ≤ 100 Hz
Current consumption	
Reference target detected	connection 1, 2: ≥ 2.2 mA connection 1, 4: ≤ 1 mA
Reference target not detected	connection 1, 2: ≤ 1 mA connection 1, 4: ≥ 2.2 mA
Response time	5 ms

Conformity

Product standard	EN 60947-5-2
------------------	--------------

Ambient conditions

Ambient temperature	-25 ... 70 °C (-13 ... 158 °F)
Storage temperature	-40 ... 80 °C (-40 ... 176 °F)

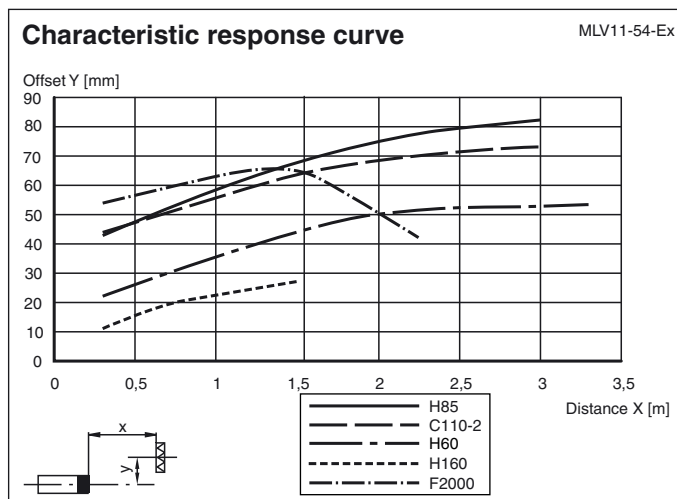
Mechanical specifications

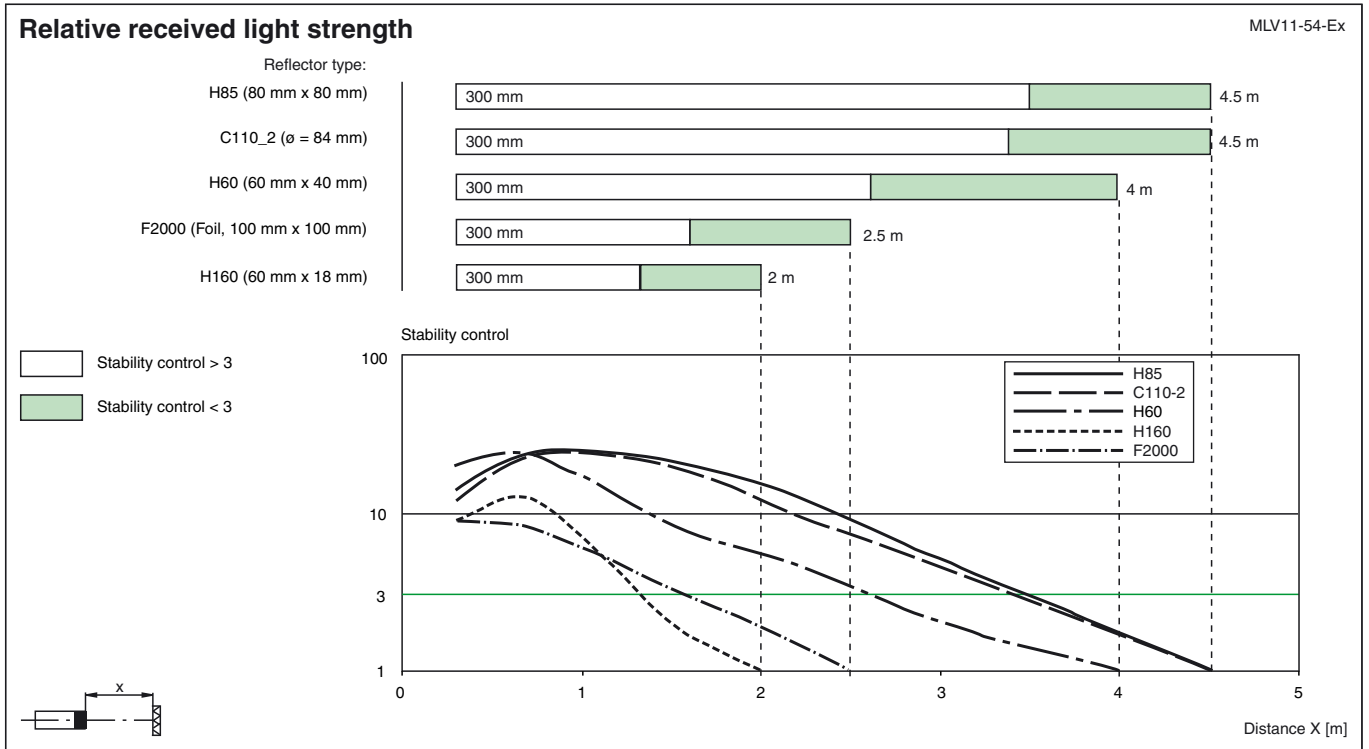
Housing width	18 mm
Housing height	50 mm
Housing depth	45 mm
Degree of protection	IP67
Connection	V1 connector (M12 x 1), 4-pin, rotatable through 90°
Material	
Housing	PBT
Optical face	scratch resistant plastic lens
Mass	60 g

Approvals and certificates

CCC approval	CCC approval / marking not required for products rated ≤36 V
--------------	--

Curves / Diagrams





Release date: 2019-11-27 13:58 Date of issue: 2019-11-27 421556_eng.xml

Refer to "General Notes Relating to Pepperl+Fuchs Product Information".

Pepperl+Fuchs Group
www.pepperl-fuchs.com

USA: +1 330 486 0001
fa-info@us.pepperl-fuchs.com

Germany: +49 621 776 4411
fa-info@de.pepperl-fuchs.com

Singapore: +65 6779 9091
fa-info@sg.pepperl-fuchs.com