

RTD Converter

FB5204B



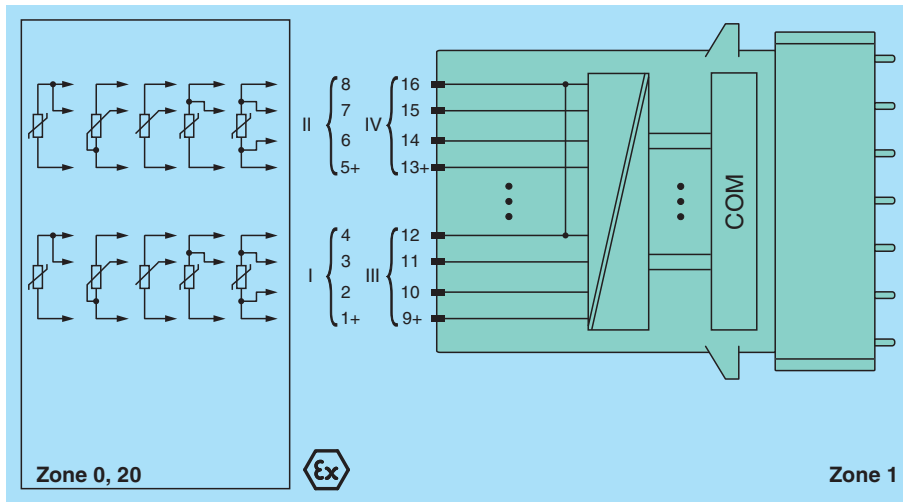
- 4-channel
- Inputs Ex ia
- Installation in suitable enclosures in Zone 1
- Module can be exchanged under voltage (hot swap)
- Converter for 2-, 3- and 4-wire RTDs (Pt100 ... Pt1000), slide wire sensors etc.
- Simulation mode for service operations (forcing)
- Line fault detection (LFD)
- Permanently self-monitoring



Function

The RTD converter accepts 2-, 3-, 4-wire RTD signals (Pt100 ... Pt1000) and slide-wire sensors from the field. Ni100 through Ni1000 can also be connected. Open and short-circuit line faults are detected. The intrinsically safe inputs are galvanically isolated from the bus and the power supply.

Connection



Technical Data

Slots	
Occupied slots	2
Supply	
Connection	backplane bus
Rated voltage	U _r 12 V DC , only in connection with the power supplies FB92**
Power dissipation	0.35 W
Power consumption	0.35 W
Internal bus	
Connection	backplane bus
Interface	manufacturer-specific bus to standard com unit
temperature input	
Number of channels	4

Release date: 2022-06-29 Date of issue: 2022-06-29 Filename: 542107_eng.pdf

Refer to "General Notes Relating to Pepperl+Fuchs Product Information".

Pepperl+Fuchs Group
www.pepperl-fuchs.com

USA: +1 330 486 0002
pa-info@us.pepperl-fuchs.com

Germany: +49 621 776 2222
pa-info@de.pepperl-fuchs.com

Singapore: +65 6779 9091
pa-info@sg.pepperl-fuchs.com

PEPPERL+FUCHS

Technical Data

Suitable field devices	
Field device	resistance thermometer
Field device [2]	slide-wire sensors
Field device [3]	potentiometer
Field device interface	
Connection	2-wire sensor
Connection [2]	3-wire sensor
Connection [3]	4-wire sensor
Connection	channel I: resistance/potentiometer input 1 ... 4 channel II: resistance/potentiometer input 5 ... 8 channel III: resistance/potentiometer input 9 ... 12 channel IV: resistance/potentiometer input 13 ... 16
Measurement range	Pt100 (18-390 Ω) (500 Ω incl. line resistance) Pt200 (37-780 Ω) Pt500 (92-1952 Ω) Pt1000 (185-3905 Ω) Ni100 (69-270 Ω) Ni500 (345-1350 Ω) Ni1000 (690-2700 Ω)
Slide-wire sensor	0 ... 10 kΩ
Measuring current	200 μA
Smallest span	50 Ω for 0.1 % accuracy
Linearity error	0.1 %
Conversion time	max. 500 ms (4 channels) max. 1 s (for 4x 3-wire Pt100)
Busy after download	5 ... 15 s
Lead resistance	max. 50 Ω per strand
Line fault detection	can be switched on/off for each channel via configuration tool
Short-circuit	< 10 Ω
Open-circuit	> 1 kΩ
Transfer characteristics	
Deviation	
Influence of ambient temperature	max. 0,1 %/10 K
Indicators/settings	
LED indication	LED green: supply LED red: line fault, collective alarm, flashing: communication error
Coding	optional mechanical coding via front socket
Directive conformity	
Electromagnetic compatibility	
Directive 2014/30/EU	EN 61326-1:2013
Conformity	
Electromagnetic compatibility	NE 21
Degree of protection	IEC 60529
Environmental test	EN 60068-2-14
Shock resistance	EN 60068-2-27
Vibration resistance	EN 60068-2-6
Damaging gas	EN 60068-2-42
Relative humidity	EN 60068-2-78
Ambient conditions	
Ambient temperature	-20 ... 60 °C (-4 ... 140 °F)
Storage temperature	-25 ... 85 °C (-13 ... 185 °F)
Relative humidity	95 % non-condensing
Shock resistance	shock type I, shock duration 11 ms, shock amplitude 15 g, number of shocks 18
Vibration resistance	frequency range 10 ... 150 Hz; transition frequency: 57.56 Hz, amplitude/acceleration ± 0.075 mm/1 g; 10 cycles frequency range 5 ... 100 Hz; transition frequency: 13.2 Hz amplitude/acceleration ± 1 mm/0.7 g; 90 minutes at each resonance
Damaging gas	designed for operation in environmental conditions acc. to ISA-S71.04-1985, severity level G3

Release date: 2022-06-29 Date of issue: 2022-06-29 Filename: 542107_eng.pdf

Refer to "General Notes Relating to Pepperl+Fuchs Product Information".

 Pepperl+Fuchs Group
www.pepperl-fuchs.com

 USA: +1 330 486 0002
pa-info@us.pepperl-fuchs.com

 Germany: +49 621 776 2222
pa-info@de.pepperl-fuchs.com

 Singapore: +65 6779 9091
pa-info@sg.pepperl-fuchs.com

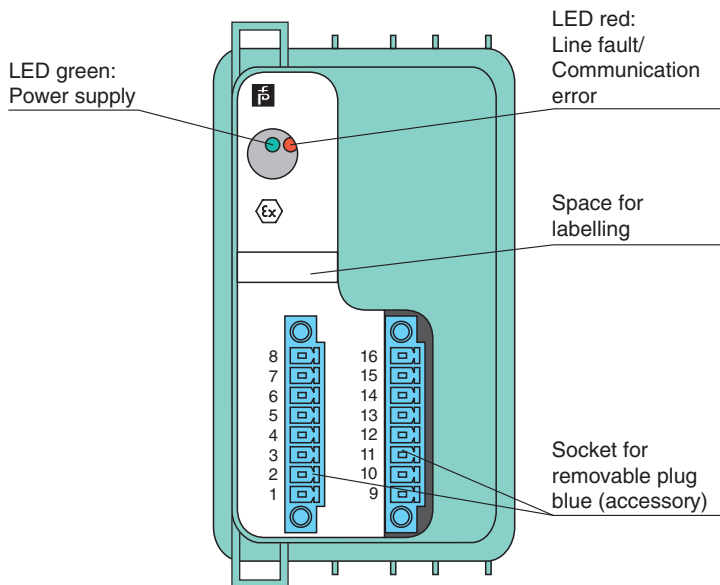
 **PEPPERL+FUCHS**

Technical Data

Mechanical specifications	
Degree of protection	IP20 (module) , a separate housing is required acc. to the system description
Connection	removable front connector with screw flange (accessory) wiring connection via spring terminals (0.14 ... 1.5 mm ²) or screw terminals (0.08 ... 1.5 mm ²)
Mass	approx. 750 g
Dimensions	57 x 107 x 132 mm (2.2 x 4.2 x 5.2 inch)
Data for application in connection with hazardous areas	
EU-type examination certificate	PTB 97 ATEX 1074 U
Marking	Ⓜ II 2(1) G Ex d [ia Ga] IIC Gb Ⓜ II (1) D [Ex ia Da] IIIC
Input	
Voltage	U _o 6.8 V
Current	I _o 70 mA
Power	P _o 123 mW (linear characteristic)
Galvanic isolation	
Input/power supply, internal bus	safe electrical isolation acc. to EN 60079-11, voltage peak value 375 V
Directive conformity	
Directive 2014/34/EU	EN IEC 60079-0:2018+AC:2020 EN 60079-1:2014 EN 60079-11:2012
International approvals	
ATEX approval	PTB 97 ATEX 1075 ; PTB 97 ATEX 1074 U
General information	
System information	The module has to be mounted in appropriate backplanes and housings (FB92**) in Zone 1, 2, 21, 22 or outside hazardous areas (gas or dust). Here, observe the corresponding EC-type examination certificate.
Supplementary information	EC-Type Examination Certificate, Statement of Conformity, Declaration of Conformity, Attestation of Conformity and instructions have to be observed where applicable. For information see www.pepperl-fuchs.com .

Assembly

Front view



Release date: 2022-06-29 Date of issue: 2022-06-29 Filename: 542107_eng.pdf

Refer to "General Notes Relating to Pepperl+Fuchs Product Information".

Accessories

FB9224*	Field Unit
FB9225*	Redundancy Field Unit
FB9248*	Field Unit

Release date: 2022-06-29 Date of issue: 2022-06-29 Filename: 542107_eng.pdf

Refer to "General Notes Relating to Pepperl+Fuchs Product Information".

Pepperl+Fuchs Group
www.pepperl-fuchs.comUSA: +1 330 486 0002
pa-info@us.pepperl-fuchs.comGermany: +49 621 776 2222
pa-info@de.pepperl-fuchs.comSingapore: +65 6779 9091
pa-info@sg.pepperl-fuchs.com **PEPPERL+FUCHS**