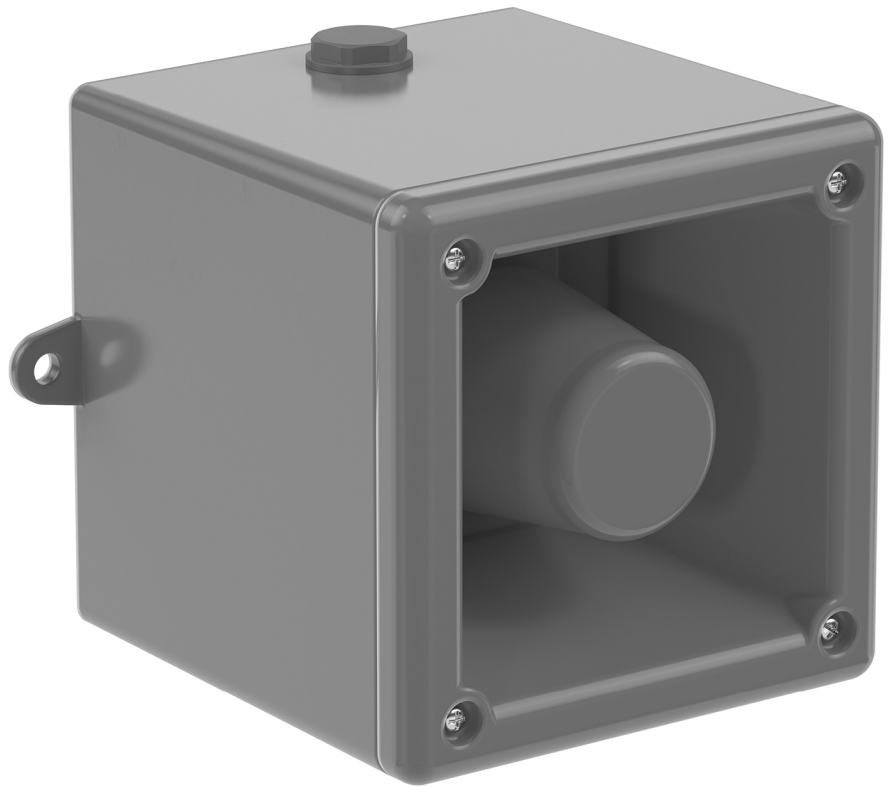


Features

- Available with custom sound and frequency configurations
- Duplicate cable terminations for daisy-chain installations
- Input overload and reverse current protection

Assembly**Technical data****Electrical specifications**

Operating voltage 16 ... 28 V DC , via zener barrier or galvanic isolator

Operating current 25 mA @ 24 V via 28 V 300 Ω zener barrier

Terminal capacity 0.5 ... 2.5 mm²

Function alarm sounder

Sound pressure level, nominal 105 dB @ 1 m +/- 3 dB - sound 2 , 96 dB @ 3 m

Sound pressure level, control 96 ... 105 dB , sound 2

Effective sound range 60 m @ 1 kHz

Number of sounds 32 , UKOOA / PFEER compliant

Number of stages 3

Mechanical specifications

Degree of protection IP66

Cable entry face A

M20 quantity 1

M20 type thru-holes

M20 info Stopping Plug 1x plastic

Cable entry face B

M20 quantity 1

M20 type thru-holes

Material

Enclosure fiber reinforced ABS, UL94-V0 and 5VA

Finish RAL 3000 (red)

Mounting bracket stainless steel 1.4301 / AISI 304

Mass

0.75 kg

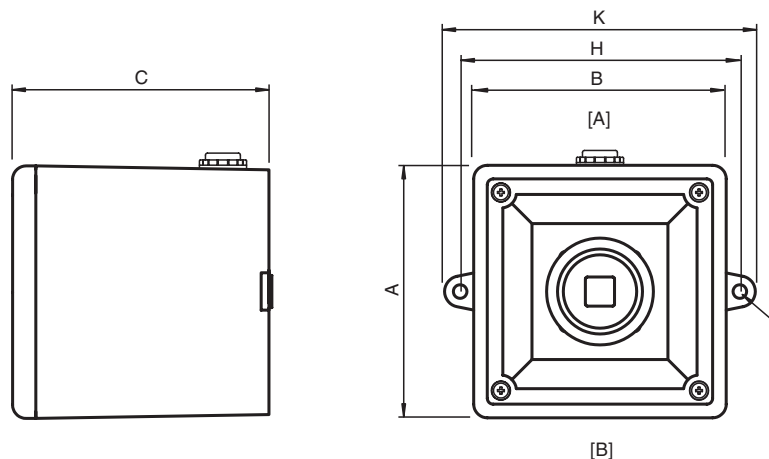
Dimensions

External dimension (A) 130 mm

External dimension (B) 130 mm

External dimension (C)	133.5 mm
Mounting holes distance (H)	144 mm
Mounting holes diameter (J)	7 mm
Maximum external dimension (K)	160 mm
Ambient conditions	
Ambient temperature	-40 ... 60 °C (-40 ... 140 °F)
Storage temperature	-40 ... 70 °C (-40 ... 158 °F)
Data for application in connection with hazardous areas	
EU-type examination certificate	SIRA 04 ATEX 2301X
Marking	Ex II 1 G Ex ia IIC T* Ga , T4 @ Ta +60 °C
International approvals	
IECEX approval	IECEX SIR 04.0038X
EAC approval	RU C-GB.MH04.B.00048
Conformity	
Degree of protection	EN 60529
General information	
Scope of delivery	device , Instruction leaflet
Supplementary information	EC-Type Examination Certificate, Statement of Conformity, Declaration of Conformity, Attestation of Conformity and instructions have to be observed where applicable. For information see www.pepperl-fuchs.com .

Dimensions



Legend

A	Height
B	Width
C	Depth
G	Mounting holes distance
H	Mounting holes distance
H1	Mounting holes distance from edge of bracket
J	Mounting holes diameter
K	Maximum outer dimension with bracket
K1	Maximum outer dimension with horn
S	Depth of mounting bracket
[A] ... [B]	Cable entry faces

Dimension values see technical data table.

Image and drawing are generic for this device type and may deviate from the specific variant.

Release date 2019-06-12 07:00 Date of issue 2019-06-12 t191126_eng.xml