

Features

- 'Stage Programmable' version available with 45 sounds and 3 remotely selectable stages
- Automatic synchronisation with systems operation
- Available with custom sound and frequency configurations
- Duplicate cable terminations for daisy-chain installations
- Ratchet adjustable stainless steel 'U' bracket

Assembly



Technical data

Electrical specifications

Operating voltage	240 V AC , 115 V AC , 24 V DC , further on request
Terminal capacity	0.5 ... 2.5 mm ²
Line monitoring	blocking diode included
Function	alarm sounder
Sound pressure level, maximum	116 dB @ 1 m , 107 dB @ 3 m
Sound pressure level, nominal	113 dB @ 1 m +/- 3 dB - sound 2 , 104 dB @ 3 m
Sound pressure level, control	105 ... 113 dB , sound 2
Effective sound range	100 m @ 1 kHz
Number of sounds	45 , UKOOA / PFEER compliant
Number of stages	3

Mechanical specifications

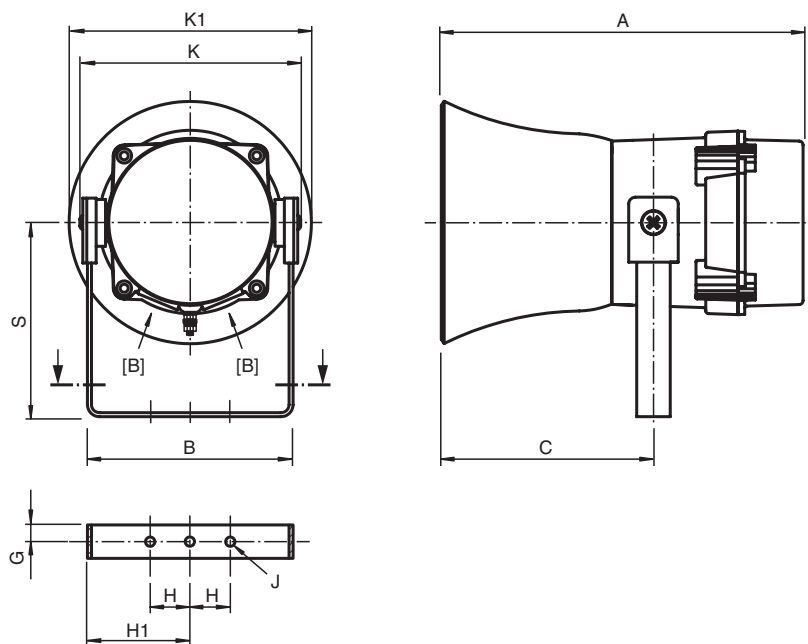
Degree of protection	IP66 acc. to EN 60529 IP64 acc. to EN 60079-0 type rating per UL50E/NEMA2 50: 4/4X/13
Cable entry face B	
M20 quantity	2
M20 type	metric ISO pitch 1.5 mm
M20 info	Stopping Plug 1x plastic
Material	
Enclosure	PPS and fiber reinforced ABS, UL94-V0 and 5VA
Horn	fiber reinforced ABS, UL94-V0 and 5VA
Finish	inherent color black
Mounting bracket	stainless steel 1.4301 / AISI 304
Mass	DC: 2.5 kg , AC: 3 kg
Dimensions	
External dimension (A)	273.1 mm
External dimension (B)	142 mm

Release date 2019-06-12 07:00 Date of issue 2019-06-12 1191167_eng.xml

Refer to "General Notes Relating to Pepperl+Fuchs Product Information".

External dimension (C)	123 mm
Mounting holes distance (G)	12.5 mm
Mounting holes distance (H)	30 mm
Mounting holes distance (H1)	76.8 mm
Mounting holes diameter (J)	7 mm
Depth mounting frame (S)	160 mm
Maximum external dimension (K)	166 mm
Maximum external dimension (K1)	181 mm
Grounding	external grounding bolt M5
Ambient conditions	
Ambient temperature	-20 ... 55 °C (-4 ... 131 °F)
Storage temperature	-40 ... 70 °C (-40 ... 158 °F)
Data for application in connection with hazardous areas	
EU-type examination certificate	DEMKO 06 ATEX 0421554X
Marking	ⓧ II 3 GD Ex nA IIC T* Gc , T4 @ Ta +55 °C Ex tc IIIC T** Dc , T85 °C @ Ta +55 °C
International approvals	
UL approval	
cULus	E230764
IECEX approval	IECEX ULD 14.0012X
Conformity	
Degree of protection	EN 60529
General information	
Scope of delivery	device , 1 Stopping Plug , Instruction leaflet
Supplementary information	EC-Type Examination Certificate, Statement of Conformity, Declaration of Conformity, Attestation of Conformity and instructions have to be observed where applicable. For information see www.pepperl-fuchs.com .

Dimensions



Legend

A	Height
B	Width
C	Depth
G	Mounting holes distance
H	Mounting holes distance
H1	Mounting holes distance from edge of bracket
J	Mounting holes diameter

Release date 2019-06-12 07:00 Date of issue 2019-06-12 t191167_eng.xml

Refer to "General Notes Relating to Pepperl+Fuchs Product Information".

Pepperl+Fuchs Group
www.pepperl-fuchs.com

USA: +1 330 486 0002
pa-info@us.pepperl-fuchs.com

Germany: +49 621 776 2222
pa-info@de.pepperl-fuchs.com

Singapore: +65 6779 9091
pa-info@sg.pepperl-fuchs.com

K	Maximum outer dimension with bracket
K1	Maximum outer dimension with horn
S	Depth of mounting bracket
[A] ... [B]	Cable entry faces

Dimension values see technical data table.

Image and drawing are generic for this device type and may deviate from the specific variant.