

Features

- Automatic synchronisation with systems operation
- Ratchet adjustable stainless steel 'U' bracket
- Choice of five flash rates: 1 Hz, 1.5 Hz, 2 Hz, double and triple flash
- Corrosion proof PPS enclosure
- Duplicate cable terminations for daisy-chain installations
- Glass lens and stainless steel guard
- High and low power steady modes
- Degree of protection IP66 / IP67, NEMA Type 4/4X
- UV stable PC field replaceable lens colour filter
- Omni-directional sound output

Assembly**Technical data****Electrical specifications**

Operating voltage 240 V AC , 115 V AC , 24 V DC , further on request

Terminal capacity 0.5 ... 2.5 mm²

Line monitoring blocking diode included

Function alarm sounder

Sound pressure level, maximum 114 dB @ 1 m , 107 dB @ 3 m

Sound pressure level, nominal 110 dB @ 1 m +/- 3 dB - sound 2 , 104 dB @ 3 m

Sound pressure level, control 105 ... 113 dB , sound 2

Effective sound range 100 m @ 1 kHz

Number of sounds 45 , UKOOA / PFEER compliant

Number of stages 3

Function 2 flashing beacon

Lens color red , yellow , blue , green , further on request

Flash mode flash rate: 1 Hz / 1.5 Hz / 2 Hz
double strike / triple strike flash
steady light high power / low power

Effective luminous intensity 87 cd @ steady light high power
160 cd @ 1 Hz flash

Illuminant, type array of 4x high-intensity Cree® LED

Illuminant, life 60000 hours

Mechanical specifications

Degree of protection IP66 acc. to EN 60529
IP64 acc. to EN 60079-0
type rating per UL50E/NEMA2 50: 4/4X/13

Cable entry face B

M20 quantity 2

M20 type metric ISO pitch 1.5 mm

M20 info Stopping Plug 1x plastic

Release date 2019-06-12 07:00 Date of issue 2019-06-12 t191171_eng.xml

Refer to "General Notes Relating to Pepperl+Fuchs Product Information".

Pepperl+Fuchs Group
www.pepperl-fuchs.com

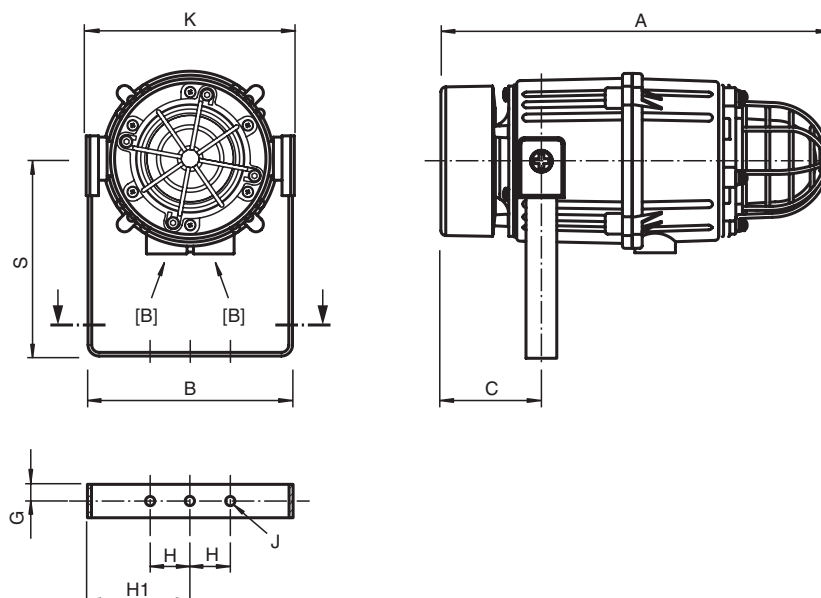
USA: +1 330 486 0002
pa-info@us.pepperl-fuchs.com

Germany: +49 621 776 2222
pa-info@de.pepperl-fuchs.com

Singapore: +65 6779 9091
pa-info@sg.pepperl-fuchs.com

Material	
Enclosure	PPS and fiber reinforced ABS, UL94-V0 and 5VA
Glass	Borosilicate glass
Finish	inherent color black
Mounting bracket	stainless steel 1.4301 / AISI 304
Mass	DC: 3 kg , AC: 3.5 kg
Dimensions	
External dimension (A)	316 mm
External dimension (B)	166 mm
External dimension (C)	81 mm
Mounting holes distance (G)	12.5 mm
Mounting holes distance (H)	30 mm
Mounting holes distance (H1)	83 mm
Mounting holes diameter (J)	7 mm
Depth mounting frame (S)	160 mm
Maximum external dimension (K)	170.6 mm
Ambient conditions	
Ambient temperature	-20 ... 55 °C (-4 ... 131 °F)
Storage temperature	-40 ... 70 °C (-40 ... 158 °F)
Data for application in connection with hazardous areas	
EU-type examination certificate	DEMKO 06 ATEX 0421554X
Marking	Ex II 3 GD Ex nA IIC T* Gc , T3 @ Ta +55 °C Ex tc IIIC T** Dc , T90 °C @ Ta +40 °C , T105 °C @ Ta +55 °C
International approvals	
UL approval	
cULus	E230764
IECEx approval	IECEx ULD 14.0012X
Conformity	
Degree of protection	EN 60529
General information	
Scope of delivery	device , 2 Stopping Plug , Instruction leaflet
Supplementary information	EC-Type Examination Certificate, Statement of Conformity, Declaration of Conformity, Attestation of Conformity and instructions have to be observed where applicable. For information see www.pepperl-fuchs.com .

Dimensions



Legend

A	Height
B	Width
C	Depth
G	Mounting holes distance
H	Mounting holes distance
H1	Mounting holes distance from edge of bracket
J	Mounting holes diameter
K	Maximum outer dimension with bracket
K1	Maximum outer dimension with horn
S	Depth of mounting bracket
[A] ... [B]	Cable entry faces

Dimension values see technical data table.

Image and drawing are generic for this device type and may deviate from the specific variant.