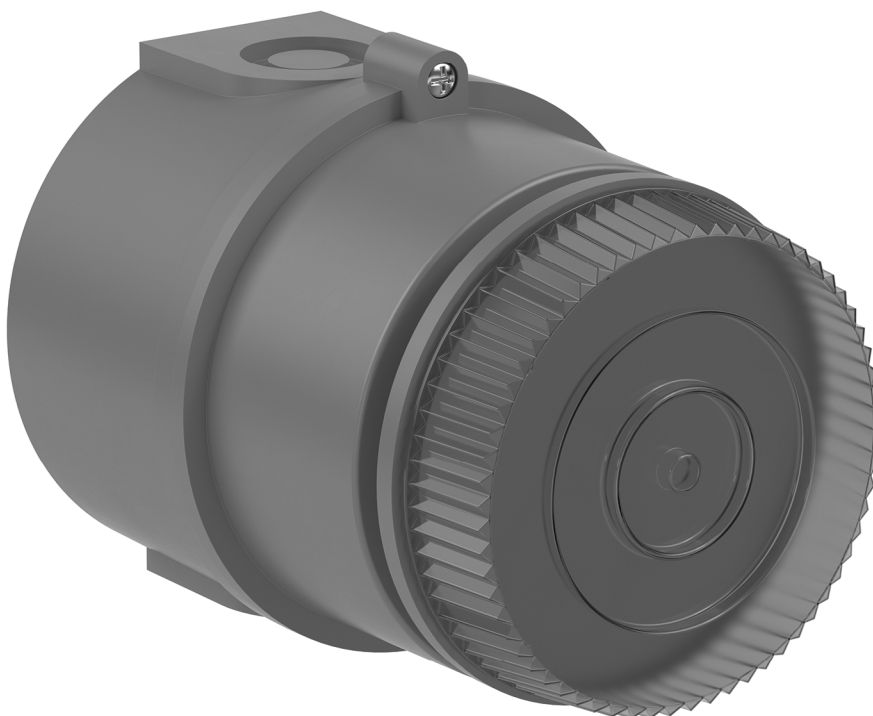


Features

- Available with custom sound configurations
- Input overload and reverse current protection
- Prismatic lens optimises LED effectiveness

Assembly**Technical data****Electrical specifications**

Operating voltage 16 ... 28 V DC , via zener barrier or galvanic isolator

Operating current 30 mA @ 24 V via 28 V 300 Ω zener barrier

Terminal capacity 0.5 ... 2.5 mm²

Function alarm sounder

Lens color red , amber and clear
clear with LEDs in green or blue

Sound pressure level, nominal 100 dB @ 1 m +/- 3 dB - sound 2 , 91 dB @ 3 m

Sound pressure level, control 90 ... 100 dB , sound 2

Effective sound range 40 m @ 1 kHz

Number of sounds 32 , UKOOA / PFEER compliant

Number of stages 3

Function 2 flashing beacon

Flash mode double flash at 2 Hz and 1 Hz

Effective luminous intensity, measured 23 cd measured according to I.E.S.

Illuminant, type array of 6x high-intensity LED

Mechanical specifications

Degree of protection IP65

Cable entry face A

M20 quantity 1

M20 type thru-holes

M20 info Stopping Plug 1x plastic

Cable entry face B

M20 quantity 1

M20 type thru-holes

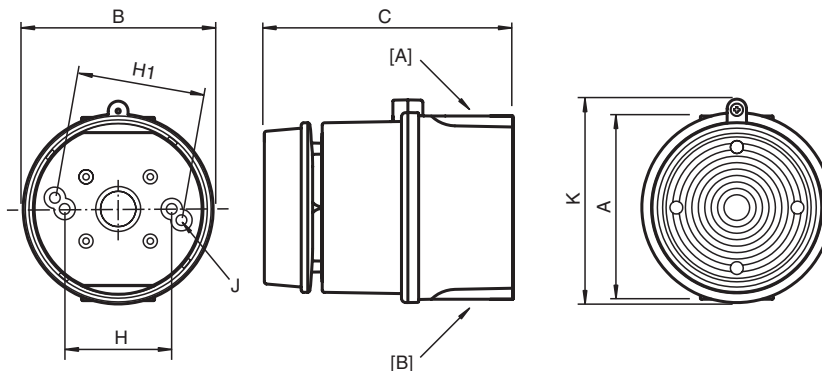
Material

Enclosure PC (Polycarbonate) fiber reinforced ABS, UL94-V0 and 5VA

Finish RAL 3000 (red)

Mounting bracket	stainless steel 1.4301 / AISI 304
Mass	1.15 kg
Dimensions	
External dimension (A)	85.5 mm
External dimension (B)	88.7 mm
External dimension (C)	116 mm
Mounting holes distance (H)	50 mm
Mounting holes distance (H1)	60 mm
Mounting holes diameter (J)	5 mm
Maximum external dimension (K)	95 mm
Ambient conditions	
Ambient temperature	-40 ... 60 °C (-40 ... 140 °F)
Storage temperature	-40 ... 70 °C (-40 ... 158 °F)
Data for application in connection with hazardous areas	
EU-type examination certificate	SIRA 05 ATEX 2084X
Marking	Ex II 1 G Ex ia IIC T* Ga , T4 @ Ta +60 °C
International approvals	
IECEX approval	IECEX SIR 06.0045X
EAC approval	RU C-GB.MH04.B.00048
Conformity	
Degree of protection	EN 60529
General information	
Scope of delivery	device , Instruction leaflet
Supplementary information	EC-Type Examination Certificate, Statement of Conformity, Declaration of Conformity, Attestation of Conformity and instructions have to be observed where applicable. For information see www.pepperl-fuchs.com .

Dimensions



Legend

A	Height
B	Width
C	Depth
G	Mounting holes distance
H	Mounting holes distance
H1	Mounting holes distance from edge of bracket
J	Mounting holes diameter
K	Maximum outer dimension with bracket
K1	Maximum outer dimension with horn
S	Depth of mounting bracket
[A] ... [B]	Cable entry faces

Dimension values see technical data table.
Image and drawing are generic for this device type and may deviate from the specific variant.

Release date 2019-09-25 09:12 Date of issue 2019-09-25 t191177_eng.xml