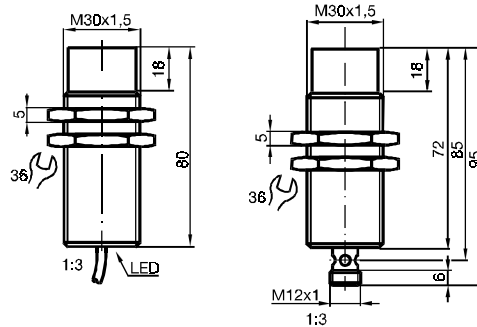
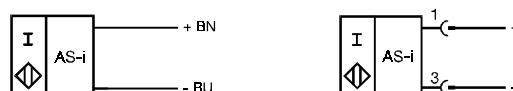


- nominal switching distance 15 mm
- programmable direction of application
- type of protection IP 67
- pre-failure warning and display



Operating distance s_n , mount.	15 mm, non-embeddable	15 mm, non-embeddable	Programming information Address preset 00, changeable via bus master or programming device IO code 1 ID code 1
Model Number	NCN15-30GM80-B3	NCN15-30GM80-B3-V1	
Connection [mm ²]	2 m PVC cable 2 x 0.34	M12 round connector 1(+), 3(-)	Data bit Bit Function D0 switching output D1 function reserve (dynamic) D2 ready D3 not used
Switching element function	make / break programmable	make / break programmable	
Working switch dist. s_a [mm]	0 ... 12.1	0 ... 12.1	Parameter bit Bit Function P0 not used P1 switching output, make-switch [*] /break-switch (NO [*] /NC) P2 not used P3 not used <small>*standard setting</small>
Reduction factor	V2A: 0.72 / AI: 0.38 Cu: 0.36 / Ms: 0.45	V2A: 0.72 / AI: 0.38 Cu: 0.36 / Ms: 0.45	
Repeatability R Sr	0.1	0.1	
Hysteresis H [%]	typ. 5	typ. 5	
Meas. plate (1mm Fe) [mm]	45 x 45	45 x 45	
Operating voltage U_B	via AS-i bus system	via AS-i bus system	
Operating current I_e [mA]	≤ 25	≤ 25	
Switching frequency f [Hz]	≥ 50	≥ 50	
Ready delay t_v [s]	≤ 1	≤ 1	
Indicators			
switching state (D0=1)	LED yellow	multihole LED yellow	
supply voltage	LED green	-	
function reserve F_R (stat.)	LED red	-	
Insulation voltage U_i [V]	≥ 500	≥ 500	
Fulfilled standard	EN 60947-5-2	EN 60947-5-2	
Ambient temperature t_b [°C]	-25 ... +70	-25 ... +70	
Storage temperature t_s [°C]	-40 ... +85	-40 ... +85	
Type of prot. acc. to EN 60 529	IP 67	IP 67	
allowable shock and vibration stress	$b \leq 30 \text{ g}$, $T \leq 11 \text{ ms}$ $f \leq 55 \text{ Hz}$, $a \leq 1 \text{ mm}$	$b \leq 30 \text{ g}$, $T \leq 11 \text{ ms}$ $f \leq 55 \text{ Hz}$, $a \leq 1 \text{ mm}$	
Housing material	stainless steel	stainless steel	
	To be replaced shortly with NCN15-30GM70-B3(-V1) with shorter sleeve (70 mm)	To be replaced shortly with NCN15-30GM70-B3(-V1) with shorter sleeve (70 mm)	

Standard symbol, connection diagram:



Issue date 27.02.1997