

Description:

The camera housing GUB/WE-TVCC series is designed to contain modern compact CCTV cameras and is mounted on an internal rail allowing the regulation of the position axially. The enclosures are made of aluminium alloy, equipped with an anti-condense resistor (115/230 Vac - 50/60 Hz) and they will be delivered with an external protection roof and a support for wall mounting.

Application:

The camera housings allow the installation of the most diffused types of cameras for television at closed circuit in places where there is danger of explosion.

Materials:

Body and cover: copper free aluminium alloy.
 Port-hole: thermo-resistant tempered glass.
 Screws: stainless steel.
 Protection roof: aluminium plate.
 Articulated support: aluminium alloy.

Certification characteristics:

Type of Protection: II 2GD Ex d IIC Gb / Ex tb IIIC Db.
 Class of Temperature: T6/T85 °C → T3/T200 °C.
 Protection Degree: IP67.
 Certificate: INERIS 10ATEX0036.
 Ambient Temperature: -50 °C / +60 °C (-20 / +40 °C).
 Zones: 1 - 21 - 2 - 22.

Threads:

NPT (ANSI B1.20.1).
 Metric x 1.5 (ISO 261).

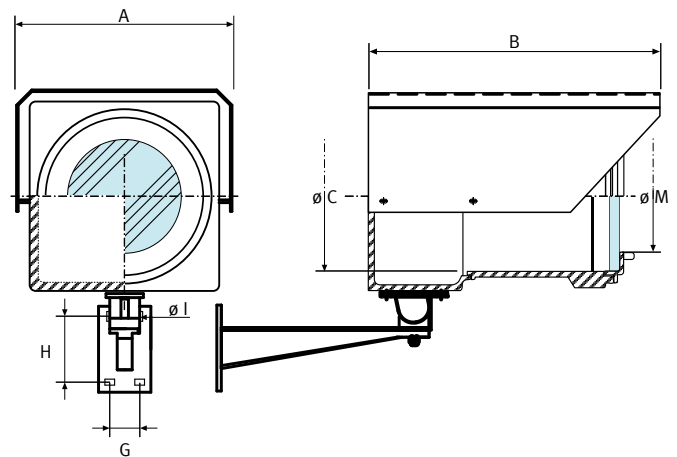
Inhibiting treatments:

Standard epoxy painting RAL 7005.
 Arm and protection roof: epoxy painting RAL 9001.

On request:

Internal camera CCTV.
 Breathing / draining valve.
 Different number / diameter / position of cable entries.
 Wiring.
 Other epoxy painting colours different by the standards.
 Special inhibiting treatment.
 Other type of threads [ISO7/1 (UNI6125), PG (DIN 40430)].
 Cable glands for armoured or non armoured cable.

Drawing GUB/WE-TVCC



Legend:

- A - Maximum external dimension.
- B - Maximum external dimension.
- Ø C - Extension access diameter.
- G - Support fixing holes wheel base.
- H - Support fixing holes wheel base.
- Ø I - Support fixing holes diameter.
- Ø M - Port-hole diameter.

Grounding:

External: M6 grounding point.
 Internal: M5 grounding point.

GUB/WE - TVCC - Data Table

Dimensions [mm] and approx. Weight [Kg]

Type	Dimensions				Support fixing			Weight
	A	B	Ø C	Ø M	G	H	Ø I	
GUB/WE 0H - TVCC	180	300	102	79	40	85	4 x 8	5,5
GUB/WE 1H - TVCC	230	340	148	121	40	85	4 x 8	12,7
GUB/WE 3 - TVCC	280	390	192	160	40	85	4 x 8	18,5

- Note: - dimensions can slightly differ due to casting model tolerances.
 - all the GUB-TVCC are without fixing brackets.
 - standard cables entries: n. 2 with Ø ½" NPT on the bottom.
 - for enclosure dimensions see GUB/WE data sheet.

GUB/WE - TVCC Drilling Table

Type	1/2"	3/4"	1"	1.¼"	1.½"
GUB/WE 0H - TVCC	2	2	1	-	-
GUB/WE 1H - TVCC	2	2	2	-	-
GUB/WE 3 - TVCC	10	3	2	-	-

- Note: - available cable entry with 1/4" and 3/8" diameter (or other equivalent thread type) with the same maximum number of 1/2" holes.
 - the cable entraies with Metric (x 1.5) threads are equivalent in number with the inches threads listed in the above table.
 The comparison between Metric (x 1.5) and inches is according to the following table.

GUB - Threads Comparison Table

Inches	¼"	⅜"	½"	¾"	1"	1 ¼"	1 ½"	2"	2 ½"	3"	4"
Metric (x 1.5)	M12	M16	M20	M25	M32	M40/M42	M50	M63	M75	M85	n.a.