

EFD21-LP - Pushbutton box with 1 or 2 components

Description:

The EFD21-LP enclosure is made of aluminium alloy, it has a rectangular base and a cylindrical joint cover. It is available in different configurations with either one 1" component installed, or a pushbutton or a pilot light, or with two ½" components installed, being 2 pushbuttons, 2 pilot lights or 1 pushbutton and 1 pilot light.

Mounting is easy thanks to the small dimensions.

Application:

The EFD21-LP pushbutton is designed for the control and signalling for electrical circuits.

Material:

Body and cover: copper free aluminium alloy.

Screws: stainless steel.

Certification characteristics:

Type of Protection: II 2GD EEx d IIC.

Class of Temperature: T6 / T85 °C, T5 / T100 °C.

Protection Degree: IP65 / IP67*.

Certificate: INERIS 05ATEX0030.

Ambient Temperature: -20 / +60 °C (+40 °C).

Zones: 1 – 21 – 2 – 22.

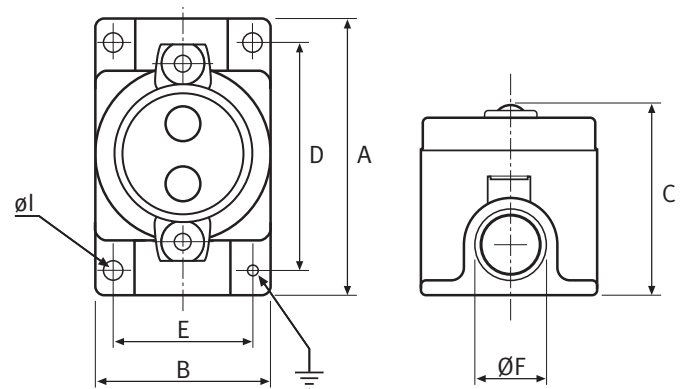
Threads:

NPT (ANSI B1.20.1).

Inhibiting treatments:

Standard epoxy painting RAL 7005.

Drawing EFD21-LP



Legend:

A - Maximum external dimension.

B - Maximum external dimension.

C - Maximum external dimension.

D - Fixing holes wheelbase.

E - Fixing holes wheelbase.

Ø F - Cable entry diameter.

Ø I - Fixing holes diameter.

Grounding:

External: M6 grounding point.

Internal: M5 grounding point.

On request:

*IP67 only with pilot lights.

Lamp or led with different voltage.

Different configuration and colours of pushbuttons and pilot lights.

Other epoxy painting colours different from the standards.

Special inhibiting treatment.

Other type of threads [ISO7/1 (UNI6125), Metric x 1.5 (ISO 261)].

Cable glands for armoured or non armoured cable.

EFD21-LP - Data Table

Dimensions [mm] and approx. Weight [kg]

Type	Description	Contact	Lampholder	Dimensions			Entries Ø F [NPT]	Fixation			Weight
				A	B	C		D	E	Ø I	
EFD21/2L	n. 2 Pilot lights ½"	-	Ba9s	125	80	115	2 x 3/4"	102	58	3x6	1,1
EFD21/1L-1P	P. light ½" + P. button ½"	N.O or N.C.	Ba9s	125	80	115	2 x 3/4"	102	58	3x6	1,1
EFD21/2P	n. 2 Pushbuttons	N.O and/or N.C.	-	125	80	115	2 x 3/4"	102	58	3x6	1,1
EFD21/1P	n. 1 Pushbutton 1"	N.O and/or N.C.	-	125	80	115	2 x 3/4"	102	58	3x6	1,1
EFD21/1L	n. 1 Pilot light 1"	-	E14	125	80	115	2 x 3/4"	102	58	3x6	1,1

Note: 1) Maximum lamp voltage and power: 240 V – 3 W.

2) Rated current and voltage: 6 A – 240 Vac or 10A – 24 Vac.

3) With 1" pushbutton (RP1) - Max. n. 2+2 contacts installed in parallel;
with ½" pushbutton (RP2) - Max. n. 2 contacts in series.

Release date 2011-08-03 – Updated 2013-04-19 - A2

This datasheet does not constitute any contract obligation.

Pepperl+Fuchs reserves the right to modify the products herein illustrated without prior notice. Copyright Pepperl+Fuchs srl - Italy: +39 039 6292 1

Pepperl+Fuchs Group
www.pepperl-fuchs.com

USA: +1 330 486 0002
pa-info@us.pepperl-fuchs.com

Germany: +49 621 776 2222
pa-info@de.pepperl-fuchs.com

Singapore: +65 6779 9091
pa-info@sg.pepperl-fuchs.com

PEPPERL+FUCHS
PROTECTING YOUR PROCESS