

Features

- Stainless Steel enclosure
- Installation in Zone 1, Zone 2, Zone 21 and Zone 22
- Ex e, Ex ia and Ex tb certified
- 6 enclosure size options
- Customizable configuration of terminals, cable entries and cable gland types as per specification
- Wide range of accessories available

Function

The SLS series is a range of terminal boxes which can be equipped with various types and quantities of terminals and cable glands.

The enclosures are manufactured from electropolished 316L stainless steel as standard to provide excellent tarnish and corrosion resistance. This surface finish is ideally suited to meet hygienic requirements valid in pharmaceutical and food processing plants.

Durable materials allows the terminal box to be used in ambient temperatures between -50 °C and +120 °C.

For terminal and cable gland configuration options please see overleaf. Further configurations can be confirmed by your local Pepperl+Fuchs office.



Type Code / Model Number

Enclosure type

SL metal enclosure

Material

S stainless steel

Enclosure size

1 ... 6 see dimensions data table

Type of explosion protection

1 Ex e, Ex tb

3 Ex ia, Ex tb

5 Ex ia / Ex e, Ex tb

Type of solution

T terminal box

Variant number


Cxxxxxx - configured variants

Yxxxxxx - engineered variants

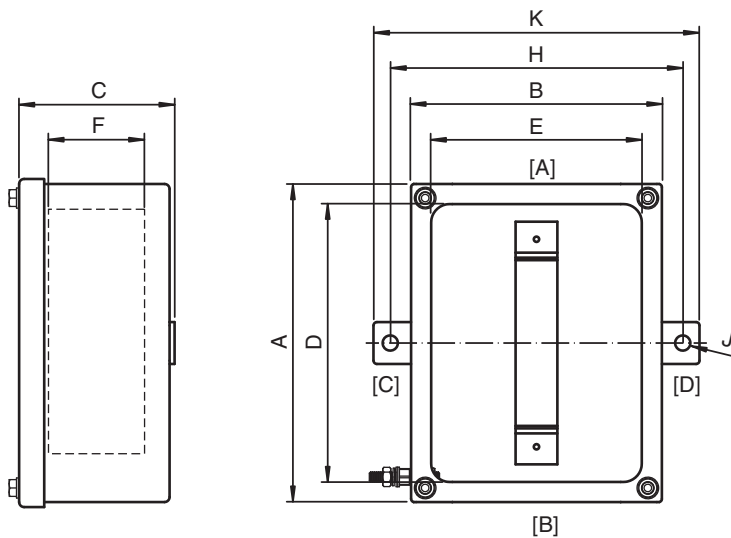
| | | | | | |
|----|---|---|---|----|---------|
| SL | S | 3 | 3 | .T | Yxxxxxx |
|----|---|---|---|----|---------|

Example: Terminal box size 3, for intrinsically safe circuits, in stainless steel

Release date 2019-10-22 T164642

| Technical Data | |
|--|---|
| Electrical specifications | |
| Operating voltage | 690 V AC max. |
| Operating current | max. 109 A / max. 126 A |
| Mechanical specifications | |
| Dimensions | see data table |
| Enclosure cover | fully detachable |
| Cover fixing | stainless steel hexagonal head screws, see data table |
| Cover seal | one piece closed cell silicone |
| Degree of protection | IP66 |
| Cable entry | see data table |
| Terminal type | Standard see data table, other terminal types optional |
| Mass | see data table see valid for empty enclosure, will increase according to integrated components |
| Grounding | M6 internal/external brass grounding bolt |
| Material | |
| Enclosure | 1.5 mm 316L, (1.4404) stainless steel |
| Finish | electropolished |
| Ambient conditions | |
| Ambient temperature | -40 ... 40 °C (-40 ... 104 °F), optional -50 ... 120 °C (-58 ... 248 °F) |
| Data for application in connection with hazardous areas | |
| EU-Type Examination Certificate | CML 16 ATEX 3008X |
| Marking |  II 2 GD Ex eb IIC T* Gb, Ex db eb IIC T* Gb, Ex tb IIIC T** Db or Ex ia IIC T* Gb, Ex tb IIIC T** Db or Ex eb IIC T* Gb, Ex ia IIC T* Gb, Ex tb IIIC T** Db T6/T80 °C @ Ta +40 °C T5/T95 °C @ Ta +55 °C T4/T125 °C @ Ta +85 °C T3/T160 °C @ Ta +120 °C |
| Maximum power dissipation | see data table |
| International approvals | |
| IECEx approval | IECEx CML 16.0007X |
| EAC approval | RU C-DE.BH02.B.00016/18 |
| CCoE approval | PESO A/P/HQ/MH/104/4900 (P386871) |
| IA approval | MASC S/18-0004X |
| Conformity | |
| Degree of protection | EN60529 |
| CE marking | 0102 |
| General information | |
| Supplementary information | EC-Type Examination Certificate, Statement of Conformity, Declaration of Conformity, Attestation of Conformity and instructions have to be observed where applicable. For information see www.pepperl-fuchs.com . |
| Ordering information | This terminal box will be delivered completely configured and assembled ready for use. For configuration details please contact customer service. |
| Accessories | |
| Optional accessories | Mounting plate M10 internal/external stainless steel grounding bolt M10 internal/external brass grounding bolt engraved traffolyte tag label engraved AISI 316L stainless steel tag label color in-fill stainless steel tag label |

Dimensions



Legend

| | |
|-------------|---|
| A | Height |
| B | Width |
| C | Depth |
| D | Internal height |
| E | Internal width |
| F | Internal depth to surface mounting plate |
| H | Mounting holes distance, horizontal |
| J | Mounting holes diameter |
| K | Maximum external dimension with mounting brackets |
| [A] ... [D] | Cable entry faces |

Dimension values see data table.
Image and drawing are generic for this device type and may deviate from the specific variant.

Dimensions and Enclosure Details

| Type | External dimensions [mm] | | | | Internal dimensions [mm] | | | Mounting [mm] | | Mass approx. [kg] | Cover screws | | | Max. power dissipation [W] |
|---------|--------------------------|-----|-----|-----|--------------------------|-----|------|---------------|------|-------------------|--------------|------|-------------|----------------------------|
| | A | B | C | K | D | E | F | H | J | | Mx | qty. | Torque [Nm] | |
| SLS1*.T | 110 | 110 | 65 | 155 | 86 | 86 | 32.5 | 135 | 9.1 | 1.2 | M6 | 4 | 2 | 9 |
| SLS2*.T | 120 | 120 | 80 | 165 | 96 | 96 | 47.5 | 145 | 10.3 | 1.4 | M6 | 4 | 2 | 9 |
| SLS3*.T | 150 | 120 | 80 | 165 | 126 | 96 | 47.5 | 145 | 10.3 | 1.6 | M6 | 4 | 2 | 9 |
| SLS4*.T | 150 | 150 | 90 | 195 | 126 | 126 | 57.5 | 175 | 10.3 | 1.9 | M6 | 4 | 2 | 11 |
| SLS5*.T | 190 | 150 | 90 | 195 | 166 | 126 | 57.5 | 175 | 10.3 | 2 | M6 | 4 | 2 | 11 |
| SLS6*.T | 190 | 190 | 100 | 235 | 166 | 166 | 67.5 | 215 | 10.3 | 3 | M6 | 4 | 2 | 13 |

Mass is valid for empty enclosure, it will increase according to integrated components and cable glands

Terminal Configurations with Standard Terminals

| Type | DIN-Rails vertical | | | | DIN-Rails horizontal | | | | Terminal type | Terminal capacity [mm²] |
|---------|--------------------|-----------------------------|--------------------|-----------------|----------------------|-----------------------------|--------------------|-----------------|---------------|-------------------------|
| | Number of rails | Usable length per rail [mm] | Terminals per rail | Terminals total | Number of rails | Usable length per rail [mm] | Terminals per rail | Terminals total | | |
| SLS1*.T | - | - | - | - | 1 | 53 | 10 | 10 | AKZ | 2.5 |
| SLS2*.T | - | - | - | - | 1 | 53 | 10 | 10 | WDU | 2.5 |
| SLS3*.T | 1 | 71 | 13 | 13 | - | - | - | - | WDU | 2.5 |
| SLS4*.T | 1 | 71 | 13 | 13 | 1 | 71 | 13 | 13 | WDU | 2.5 |
| SLS5*.T | 1 | 120 | 23 | 23 | - | - | - | - | WDU | 2.5 |
| SLS6*.T | 1 | 120 | 23 | 23 | 1 | 120 | 23 | 23 | WDU | 2.5 |

For other terminal types and terminal capacities please contact Pepperl+Fuchs

Cable Entries max. Quantity per Size

| Type | Cable entry area | | Faces A and B | | | | | | | Faces C and D | | | | | | |
|---------|------------------|---------------|---------------|-----|-----|-----|-----|-----|-----|---------------|-----|-----|-----|-----|-----|-----|
| | Faces A and B | Faces C and D | M12 | M16 | M20 | M25 | M32 | M40 | M50 | M12 | M16 | M20 | M25 | M32 | M40 | M50 |
| SLS1*.T | 32.5 x 80 | 32.5 x 80 | 4 | 3 | 2 | - | - | - | - | 3 | 3 | 2 | - | - | - | - |
| SLS2*.T | 47.5 x 90 | 47.5 x 90 | 8 | 5 | 3 | 2 | 1 | - | - | 8 | 5 | 3 | 2 | 1 | - | - |
| SLS3*.T | 47.5 x 90 | 47.5 x 120 | 8 | 5 | 3 | 2 | 1 | - | - | 9 | 6 | 4 | 3 | 2 | - | - |
| SLS4*.T | 57.5 x 120 | 57.5 x 120 | 12 | 9 | 5 | 3 | 2 | 2 | - | 12 | 9 | 5 | 3 | 2 | 2 | - |
| SLS5*.T | 57.5 x 120 | 57.5 x 120 | 12 | 9 | 5 | 3 | 2 | 2 | - | 14 | 12 | 6 | 4 | 3 | 2 | - |
| SLS6*.T | 67.5 x 160 | 67.5 x 160 | 21 | 12 | 10 | 5 | 3 | 2 | 2 | 21 | 12 | 10 | 5 | 3 | 2 | 2 |

Cable gland standard type: polyamide Ex e cable glands

For other types of cable glands and combinations of different gland sizes please contact Pepperl+Fuchs