

SMH

Ex d IIC



Instrument housing range

Enclosures with threaded cover with circular port-hole suitable to contain instruments

SEB

Ex d IIC



Electronic card housing range

Boxes with threaded cover suitable to contain electronic devices

SK

Ex d IIC



Instrument housing range for thermocouple/RTD

Boxes with threaded cover suitable to contain thermocouples and RTD

SO

Ex d IIC



Instrument housing range with port-hole

Boxes with threaded cover with circular port-hole suitable to contain signaling/visualization equipment

SO-E

Ex d IIC



Instrument housing range with extension and port-hole

Boxes with threaded cover with extension and circular port-hole suitable to contain signaling/visualization equipment

Release date 2013-09-20 T164872

This datasheet does not constitute any contract obligation.

Pepperl+Fuchs reserves the right to modify the products herein illustrated without prior notice. Copyright Pepperl+Fuchs srl - Italy: +39 039 6292 1

Pepperl+Fuchs Group
www.pepperl-fuchs.com

USA: +1 330 486 0002
pa-info@us.pepperl-fuchs.com

Germany: +49 621 776 2222
pa-info@de.pepperl-fuchs.com

Singapore: +65 6779 9091
pa-info@sg.pepperl-fuchs.com

Description:

The SMH instrument housing is made of aluminium alloy and has a cylindrical body and a screwed cover with circular port-hole.

Application:

The SMH instrument housing is suitable to contain analogue and digital measurement instruments such as voltmeters, ammeters, speed indicators.

Material:

Body and cover: copper free aluminium alloy.
 Port-hole: thermo-resistant tempered glass.
 Screws: stainless steel.

Certification characteristics:

Type of Protection: II 2GD Ex d IIC / Ex tD A21
 II 2GD Ex e II / Ex tD A21.
 Class of Temperature: T6/T85 °C,
 T5/T100 °C (only Ex e version).
 Protection Degree: IP66 / IP67*.
 Certificate: INERIS 01ATEX0023.
 Ambient Temperature: -50 / +60 °C (-20 / +40 °C).
 Zones: 1 – 21 – 2 – 22.

Threads:

NPT (ANSI B1.20.1).
 Metric x 1.5 (ISO 261).

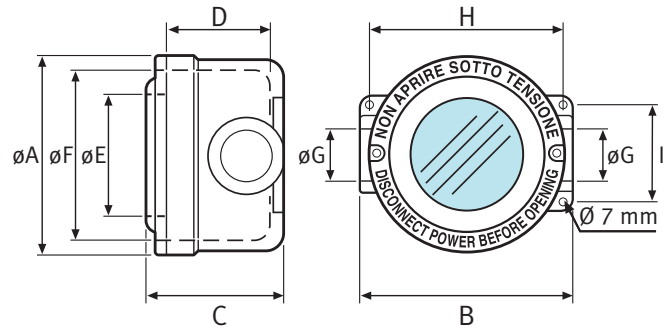
Inhibiting treatments:

External standard epoxy painting RAL 7005.

On request:

Stainless steel version AISI 304 or AISI 316L.
 Support for instrument 72 x 72 (K72).
 Instrument meter.
 Version with extension (SMH-E).
 *IP67 protection with o-ring.
 Other epoxy painting colours different from the standards.
 Special inhibiting treatment.
 Cable glands for armoured or non armoured cable.

Drawing SMH



Legend:

- Ø A - Maximum external diameter.
- B - Maximum external dimension.
- C - Maximum external dimension with cover.
- D - Internal depth.
- Ø E - Port-hole diameter.
- Ø F - Internal diameter.
- Ø G - Cable entry.
- H - Fixing holes wheel base.
- I - Fixing holes wheel base.

Grounding:

Internal and external: M5 grounding point.

SMH - Data Table

Dimensions [mm] and approx. Weight [Kg]

Type	Dimensions						Entries (NPT)	Fixing		Weight
	Ø A	B	C	D	Ø E	Ø F	Ø G	H	I	
SMH	136	150	117	98	79	110	2 x 3/4"	130	65	1,6
SMH-E	136	150	221	202	79	110	2 x 3/4"	130	65	2,3

Note: - dimensions can slightly differ due to casting model tolerances.

Release date 2013-09-20 T164872

Description:

The SEB boxes are made of aluminium alloy and circular shaped, they have a screwed blind cover and have different configuration of cable entry.

Application:

The SEB instrument housing is suitable to contain electronic devices to measure, control and elaborate signals of physical parameters.

Materials:

Body and cover: copper free aluminium alloy.
Screws: stainless steel.

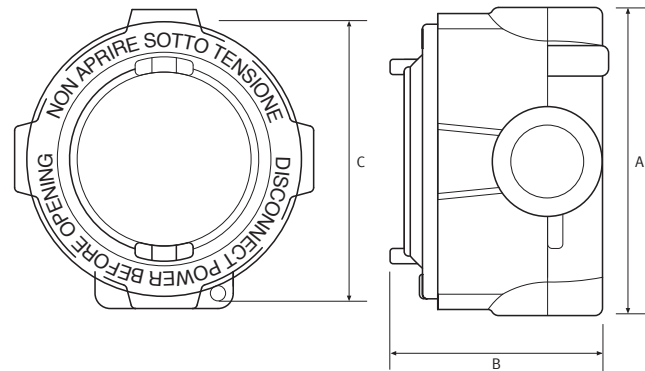
Certification characteristics:

Type of Protection: II 2GD Ex d IIC / Ex tD A21
II 2GD Ex e II / Ex tD A21.
Class of Temperature: T6/T85 °C,
T5/T100 °C (only Ex e version).
Protection Degree: IP66 / IP67*.
Certificate: INERIS 01ATEX0023.
Ambient Temperature: -50 / +60 °C (-20 / +40 °C).
Zones: 1 – 21 – 2 – 22.

Threads:

NPT (ANSI B1.20.1).
Metric x 1.5 (ISO 261).

Drawing SEB



Legend:

- A - Maximum external dimension.
- B - Maximum external dimension with cover.
- Ø C - External diameter.

Grounding:

Internal and external: M5 grounding point.

On request:

- Stainless steel version AISI 304 or AISI 316L.
- *IP67 protection with o-ring.
- Extension 76 mm.
- Cover with port-hole.
- Anti loosening cover.
- Fixation brackets.
- External epoxy painting.
- Special inhibiting treatment.
- Cable glands for armoured or non armoured cable.

SEB - Data Table

Dimensions [mm] and approx. Weight [Kg]

Type	Entries		Dimensions			Weight	
	n°	Ø [NPT]	A	B	Ø C		
	SEB/B 16	2	1/2"	100	75	90	0,45
	SEB/B 26	2	3/4"	100	75	90	0,45
	SEB/C 16	2	1/2"	100	75	90	0,45
	SEB/C 26	2	3/4"	100	75	90	0,45
	SEB/D 16	3	1/2"	100	75	90	0,45
	SEB/D 26	3	3/4"	100	75	90	0,45
	SEB/L 16	2	1/2"	100	75	90	0,45
	SEB/L 26	2	3/4"	100	75	90	0,45
	SEB/M 16	3	1/2"	100	75	90	0,45
	SEB/M 26	3	3/4"	100	75	90	0,45
	SEB/T 16	3	1/2"	100	75	90	0,45
	SEB/T 26	3	3/4"	100	75	90	0,45
	SEB/W 16	4	1/2"	100	75	90	0,45
	SEB/W 26	4	3/4"	100	75	90	0,45
	SEB/X 16	4	1/2"	100	75	90	0,45
	SEB/X 26	4	3/4"	100	75	90	0,45
	SEB/J 16	5	1/2"	100	75	90	0,45
	SEB/J 26	5	3/4"	100	75	90	0,45

Note: - standard external grounding point close to the lower cable entry.

Release date 2013-09-20 T164872

Description:

The SK instrument housing is made of aluminium alloy and circular shaped. They have a screwed blind cover and have different configuration for cable entry.

Application:

The SK instrument housing is suitable to contain thermocouples/ RTDs (Resistance Temperature Detectors) or other thermometer elements, electronic transmitters or equivalent devices.

Materials:

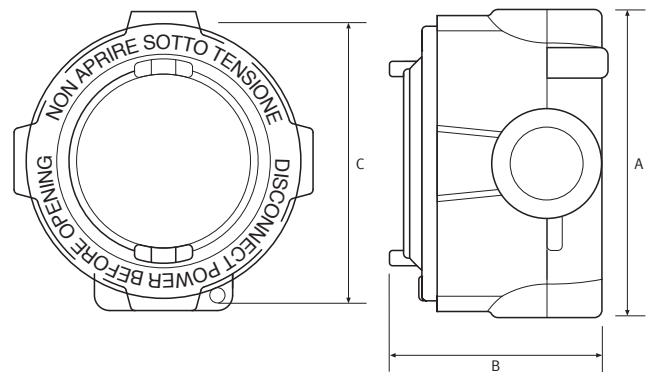
Body and cover: copper free aluminium alloy.
Screws: stainless steel.

Certification characteristics:

Type of Protection: II 2GD Ex d IIC / Ex tD A21
II 2GD Ex e II / Ex tD A21.
Class of Temperature: T6/T85 °C,
T5/T100 °C (only Ex e version).
Protection Degree: IP66 / IP67*.
Certificate: INERIS 01ATEX0023.
Ambient Temperature: -50 / +60 °C (-20 / +40 °C).
Zones: 1 – 21 – 2 – 22.

Threads:

NPT (ANSI B1.20.1).
Metric x 1.5 (ISO 261).

Drawing SK**Legend:**

A - Maximum external dimension.
B - Maximum external dimension with cover.
Ø C - External diameter.

Grounding:






Internal and external: M5 grounding point.

On request:

Stainless steel version AISI 304 or AISI 316L.
Thermocouple.
*IP67 protection with o-ring.
Cover with port-hole.
Anti loosening cover.
Fixation brackets.
External epoxy painting.
Special inhibiting treatment.
Cable glands for armoured or non armoured cable.

SK - Data Table

Dimensions [mm] and approx. Weight [Kg]

Type	Entries		Dimensions			Weight	
	n°	Ø [NPT]	A	B	Ø C		
	SK/B 16	2	1/2"	100	75	90	0,45
	SK/B 26	2	3/4"	100	75	90	0,45
	SK/D 16	3	1/2"	100	75	90	0,45
	SK/D 26	3	3/4"	100	75	90	0,45
	SK/M 16	3	1/2"	100	75	90	0,45
	SK/M 26	3	3/4"	100	75	90	0,45
	SK/W 16	4	1/2"	100	75	90	0,45
	SK/W 26	4	3/4"	100	75	90	0,45
	SK/J 16	5	1/2"	100	75	90	0,45
	SK/J 26	5	3/4"	100	75	90	0,45

Note: - standard external grounding point close to the lower cable entry.

T164872

Release date 2013-09-20

This datasheet does not constitute any contract obligation.

Pepperl+Fuchs reserves the right to modify the products herein illustrated without prior notice. Copyright Pepperl+Fuchs srl - Italy: +39 039 6292 1

Pepperl+Fuchs Group
www.pepperl-fuchs.com

USA: +1 330 486 0002
pa-info@us.pepperl-fuchs.com

Germany: +49 621 776 2222
pa-info@de.pepperl-fuchs.com

Singapore: +65 6779 9091
pa-info@sg.pepperl-fuchs.com

 **PEPPERL+FUCHS**
PROTECTING YOUR PROCESS

Description:

The SO instrument housing is made of aluminium alloy and circular shaped. It has a screwed cover with circular port-hole and has different configuration for cable entry. Please refer to the product SO-E showing this enclosure with extension.

Application:

The SO instrument housing is suitable to contain signalling/ visualization equipment.

Material:

Body and cover: copper free aluminium alloy.
 Port-hole: thermo-resistant tempered glass.
 Screws: stainless steel.

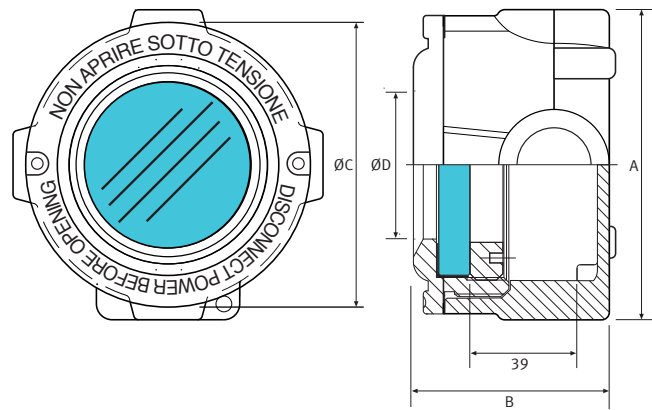
Certification characteristics:

Type of Protection: II 2GD Ex d IIC / Ex tD A21
 II 2GD Ex e II / Ex tD A21.
 Class of Temperature: T6 / T85 °C,
 T5 / T100 °C (only Ex e version).
 Protection Degree: IP66 / IP67*.
 Certificate: INERIS 01ATEX0023.
 Ambient Temperature: -50 / +60 °C (-20 / +40 °C).
 Zones: 1 – 21 – 2 – 22.

Threads:

NPT (ANSI B1.20.1).
 Metric x 1.5 (ISO 261).

Drawing SO



Legend:

- A - Maximum external dimension.
- B - Maximum external dimension with cover.
- Ø C - External diameter.
- Ø D - Port-hole diameter.

Drawing dimensions [mm]

Grounding:

Internal and external: M5 grounding point.

On request:

- Stainless steel version AISI 304 or AISI316L.
- *IP67 protection with o-ring.
- Anti loosening cover.
- Fixation brackets.
- External epoxy painting.
- Special inhibiting treatment.
- Cable glands for armoured or non armoured cable.

SO - Data Table

Dimensions [mm] and approx. Weight [Kg]

Type	Entries		Dimensions				Weight	
	n°	Ø [NPT]	A	B	Ø C	Ø D		
	SO/A 16	1	1/2"	100	67	90	49	0,5
	SO/A 26	1	3/4"	100	67	90	49	0,5
	SO/B 16	2	1/2"	100	67	90	49	0,5
	SO/B 26	2	3/4"	100	67	90	49	0,5
	SO/C 16	2	1/2"	100	67	90	49	0,5
	SO/C 26	2	3/4"	100	67	90	49	0,5
	SO/D 16	3	1/2"	100	67	90	49	0,5
	SO/D 26	3	3/4"	100	67	90	49	0,5
	SO/L 16	2	1/2"	100	67	90	49	0,5
	SO/L 26	2	3/4"	100	67	90	49	0,5
	SO/M 16	3	1/2"	100	67	90	49	0,5
	SO/M 26	3	3/4"	100	67	90	49	0,5
	SO/T 16	3	1/2"	100	67	90	49	0,5
	SO/T 26	3	3/4"	100	67	90	49	0,5
	SO/W 16	4	1/2"	100	67	90	49	0,5
	SO/W 26	4	3/4"	100	67	90	49	0,5

Note: - standard external grounding point close to the lower cable entry.

This datasheet does not constitute any contract obligation.

Pepperl+Fuchs reserves the right to modify the products herein illustrated without prior notice. Copyright Pepperl+Fuchs srl - Italy: +39 039 6292 1

Pepperl+Fuchs Group USA: +1 330 486 0002 Germany: +49 621 776 2222 Singapore: +65 6779 9091
 www.pepperl-fuchs.com pa-info@us.pepperl-fuchs.com pa-info@de.pepperl-fuchs.com pa-info@sg.pepperl-fuchs.com

Description:

The SO-E instrument housing is made of aluminium alloy and circular shaped. It has a screwed cover with circular port-hole, extension and has different configuration for cable entry.

Application:

The SO-E instrument housing is suitable to contain signalling / visualization equipment.

Material:

Body and cover: copper free aluminium alloy.
 Port-hole: thermo-resistant tempered glass.
 Screws: stainless steel.

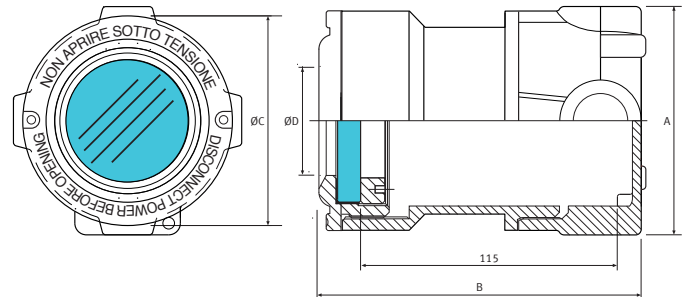
Certification characteristics:

Type of Protection: II 2GD Ex d IIC / Ex tD A21
 II 2GD Ex e II / Ex tD A21.
 Class of Temperature: T6 / T85 °C,
 T5 / T100 °C (only Ex e version).
 T4 / T135 °C.
 Protection Degree: IP66 / IP67*.
 Certificate: INERIS 01ATEX0023.
 Ambient Temperature: -50 / +60 °C (-20 / +40 °C).
 Zones: 1 – 21 – 2 – 22.

Threads:

NPT (ANSI B1.20.1).
 Metric x 1.5 (ISO 261).

Drawing SO-E



Legend:

- A - Maximum external dimension.
- B - Maximum external dimension with cover.
- Ø C - External diameter.
- Ø D - Port-hole diameter.

Drawing dimensions [mm].

Grounding:

Internal and external: M5 grounding point.

On request:

- *IP67 protection with o-ring.
- Anti loosening cover.
- Fixation brackets.
- External epoxy painting.
- Special inhibiting treatment.
- Cable glands for armoured or non armoured cable.

SO-E - Data Table

Dimensions [mm] and approx. Weight [Kg]

Type	Entries		Dimensions				Weight	
	n°	Ø [NPT]	A	B	Ø C	Ø D		
	SO-E/A 16	1	1/2"	100	144	90	49	0,85
	SO-E/A 26	1	3/4"	100	144	90	49	0,85
	SO-E/B 16	2	1/2"	100	144	90	49	0,85
	SO-E/B 26	2	3/4"	100	144	90	49	0,85
	SO-E/C 16	2	1/2"	100	144	90	49	0,85
	SO-E/C 26	2	3/4"	100	144	90	49	0,85
	SO-E/D 16	3	1/2"	100	144	90	49	0,85
	SO-E/D 26	3	3/4"	100	144	90	49	0,85
	SO-E/L 16	2	1/2"	100	144	90	49	0,85
	SO-E/L 26	2	3/4"	100	144	90	49	0,85
	SO-E/M 16	3	1/2"	100	144	90	49	0,85
	SO-E/M 26	3	3/4"	100	144	90	49	0,85
	SO-E/T 16	3	1/2"	100	144	90	49	0,85
	SO-E/T 26	3	3/4"	100	144	90	49	0,85
	SO-E/W 16	4	1/2"	100	144	90	49	0,85
	SO-E/W 26	4	3/4"	100	144	90	49	0,85

Note: - standard external grounding point close to the lower cable entry.

Release date 2013-09-20 T164872