

Features

- Aluminum enclosure
- Ex d and Ex tD certified
- Installation in Zone 1, Zone 2, Zone 21 and Zone 22
- Various contact configurations and pole numbers
- Degree of protection IP66

Function

This series of switch disconnectors comprise of standard and customized solutions for isolation up to 63 A for AC21A and 18.5 kW for AC3. FW and FC4 standard variants are available up to 32 A. Customized solutions are based on the enclosure types FC5 and F7 and include flexible configuration of cable entries as well multiple disconnectors in one enclosure.



Type Code / Model Number

Enclosure type

- FW** enclosure Ex d IIB (ATEX) Ex d IIC (IECEEx), standard cable entries
- FC4** enclosure Ex d IIC, standard cable entries
- FC5** enclosure Ex d IIC, customizable cable entries
- F7** enclosure Ex d IIB, customizable cable entries

Material

aluminum

Function

xx see data table

Variant number

-Yxxxxxx

FC4		A-203	-Yxxxxxx
-----	--	-------	----------

Example: Switch disconnector 20 A 4 Pole in FC enclosure in aluminum

Technical Data**Electrical specifications**

Operating voltage	see data tables
Operating current	see data tables
Rated impulse withstand voltage	6 kV
Rated frequency	50Hz
Rated insulation voltage	690 V

Mechanical specifications

Dimensions	see data tables
Enclosure cover	detachable
Cover fixing	stainless steel socket cap head screws
Screws	see data tables
Yield stress	min. 450 N/mm ²
Degree of protection	IP66
Mass	see data tables
Terminal capacity	see data tables
Cable entry	see data tables
Thread type	metric ISO pitch 1.5 mm
Grounding	M6 external grounding points
Function	switch disconnector
Switching configuration	2 position with left OFF
Color	black
Labeling	OFF - ON
Operator action	engage - engage
Lockable	in 'OFF' position

Material

Enclosure	Aluminum alloy
Finish	epoxy coated RAL 7032
Cover seal	chloroprene
Flamepath grease	Fluid film grade AR

Ambient conditions

Ambient temperature	-20 ... 60 °C (-4 ... 140 °F)
---------------------	-------------------------------

Data for application in connection with hazardous areas

EU-Type Examination Certificate	see data tables
---------------------------------	-----------------

International approvals

IECEx approval	see data tables
----------------	-----------------

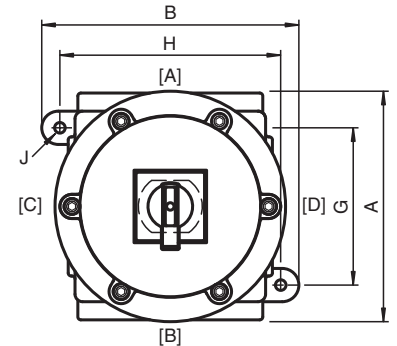
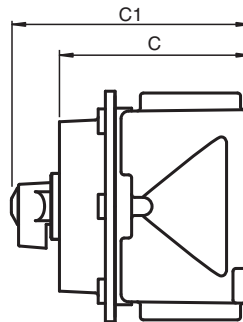
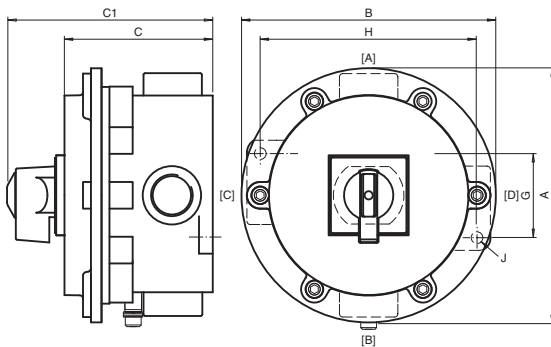
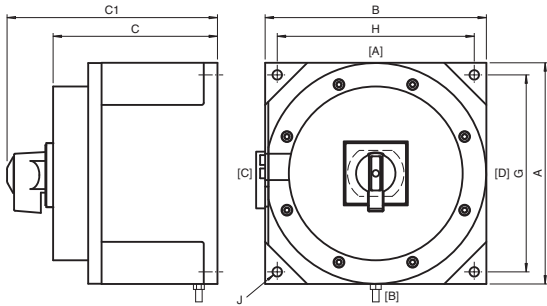
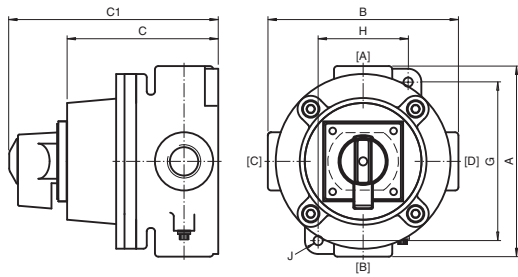
Conformity

Degree of protection	EN60529
Usage category	IEC / EN 60947-3
CE marking	0102

General information

Supplementary information	EC-Type Examination Certificate, Statement of Conformity, Declaration of Conformity, Attestation of Conformity and instructions have to be observed where applicable. For information see www.pepperl-fuchs.com .
---------------------------	--

Dimensions



Legend	
A	Height
B	Width
C	Depth
C1	Depth with operating element
G	Mounting holes distance, vertical
H	Mounting holes distance, horizontal
J	Mounting holes diameter
[A] ... [D]	Cable entry faces

Dimension values see data table. Image and drawing are generic for this device type and may deviate from the specific variant.

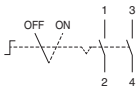
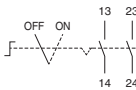
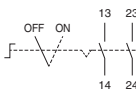
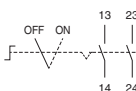
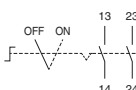
upper drawing: FW*
middle drawing: F7*
lower drawing: FC4* / FC5*

Dimensions and Enclosure Details

Type	Enclosure series	External dimensions [mm]				Mounting [mm]			Mass [kg]	Cover screws			EU-Type Examination Certificate	Marking	IECEX approval
		A	B	C	C1	G	H	J		Mlx	qty.	Torque [Nm]			
FW201	FW	114	114	91	126	54	95	7	1	M6	4	3	SIRA 07 ATEX 1132X	Ex II 2 G Ex d IIB T* Gb T6 @ Ta +60 °C	IECEX TSA 07.0005X
FC4A-203	FC4	152	152	105	140	50	130	7	1.7	M6	6	3	SIRA 07 ATEX 1133X	Ex II 2 GD Ex d IIC T* Gb Ex tD A21 T6/T80 °C @ Ta +60 °C	IECEX SIM 07.0001X
FC4C-203	FC4	152	152	105	140	50	130	7	1.7	M6	6	3	SIRA 07 ATEX 1133X	Ex II 2 GD Ex d IIC T* Gb Ex tD A21 T6/T80 °C @ Ta +60 °C	IECEX SIM 07.0001X
FC4U-203	FC5	152	152	126	161	50	130	7	2.9	M6	6	3	SIRA 07 ATEX 1133X	Ex II 2 GD Ex d IIC T* Gb Ex tD A21 T6/T80 °C @ Ta +60 °C	IECEX SIM 07.0001X
F7-KG64	F7	210	210	156	204	187	187	9	8	M6	8	3	SIRA 07 ATEX 1134	Ex II 2 GD Ex d IIB T* Ex tD A21 T6/T80 °C @ Ta +60 °C	IECEX TSA 07.0029

Release date 2019-07-03 T190424

Refer to "General Notes Relating to Pepperl+Fuchs Product Information".

Electrical Data							
Type	Operating voltage [V AC max.]	Operating current [A max.]	Short circuit current limitation	Number of poles	Contact configuration	Switching diagram	Usage category
FW201	240	20	25 A, gG	2	2x NO		AC21A: 415 V AC - 20A AC23A: 415 V AC - 3.7 kW
FC4A-203	415	20	25 A, gG	4	4x NO		AC21A: 415 V AC - 20A AC23A: 415 V AC - 7.5 kW
FC4C-203	415	32	50 A, gG	4	4x NO		AC21A: 415 V AC - 32A AC23A: 415 V AC - 15 kW
FC4U-203	415	50	63 A, gG	4	4x NO		AC21A: 415 V AC - 63A AC23A: 415 V AC - 30 kW
F7-KG64	415	63	63 A, gG	4	4x NO		AC21A: 415 V AC - 63A AC23A: 415 V AC - 22 kW

Terminal Configuration and Cable Entries max. Quantity per Size

Type	Main terminals		Grounding terminals		Cable entries Faces A and B			Cable entries Faces C and D		
	Capacity [mm ²]	Torque [Nm]	Capacity [mm ²]	Torque [Nm]	M20	M25	M32	M20	M25	M32
FW201	2x 1.5 ... 2.5	0.6	2x 1.5 ... 2.5	0.6	1	-	-	1	-	-
FC4A-203	2x 1.5 ... 2.5	0.6	2x 1.5 ... 2.5	0.6	1	-	-	1	-	-
FC4C-203	2x 1.5 ... 6	1.3	2x 1.5 ... 6	1.3	-	1	-	-	1	-
FC4U-203	2x 1.5 ... 10	2.2	2x 1.5 ... 10	2.2	-	-	1	-	-	1
F7-KG64	2x 1.5 ... 16	1.8	2x 1.5 ... 16	1.8	-	-	2	-	-	-

For details please refer to individual product datasheet
For further configurations please contact Pepperl+Fuchs