

Features

- Aluminum enclosure
- Ex d and Ex tD certified
- Installation in Zone 1, Zone 2, Zone 21 and Zone 22
- Gas group IIB
- Various power ratings available
- Coil voltage 415V
- Suitable for Ex d motors
- Degree of protection IP66

Function

Series F7 enclosures can accommodate DOL motor starters in gas group IIB environments. Standard and customized solutions are available up to 11 kW and comprise contactors, overload and start/stop operators. Further configuration options are available.




Type Code / Model Number

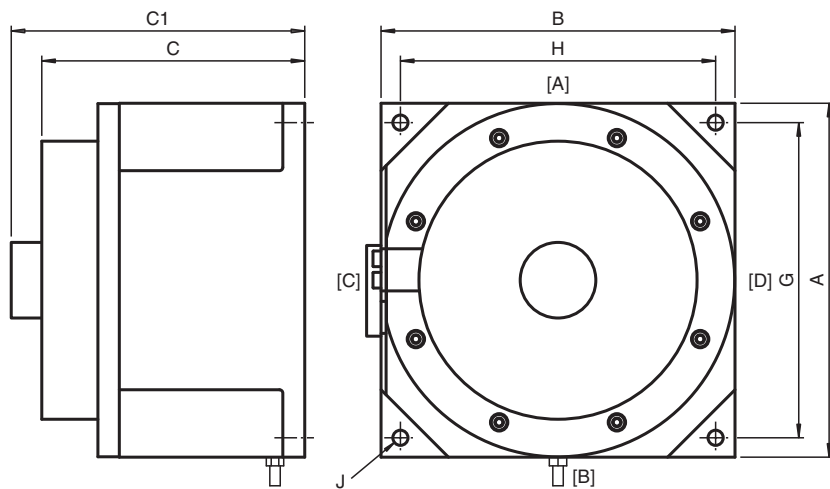
Enclosure type						
F7	enclosure Ex d IIB					
	Material					
	aluminum					
	Function					
	DOL	direct online starter				
		Power rating				
	xx	see data table				
		Variant number				
		-Yxxxxxx				
F7-		DOL	7.5			-Yxxxxxx
Example: Motor starter direct online in aluminum, power rating 7.5 kW						

Release date 2019-07-03 T190442

Refer to "General Notes Relating to Pepperl+Fuchs Product Information".

Technical Data	
Electrical specifications	
Operating voltage	415 V
Operating current	see data table
Function	direct online starter
Contactor rating	see data table
Grounding terminals capacity	M6 grounding bolt
Mechanical specifications	
Enclosure cover	detachable, hinged
Cover fixing	stainless steel socket cap head screws
Screws	M6
Number	8
Tightening torque	3 Nm
Yield stress	min. 450 N/mm ²
Degree of protection	IP66
Mass	approx. 5 kg
Grounding	M6 external grounding points
Material	
Enclosure	Aluminum alloy
Finish	epoxy coated RAL 7032
Cover seal	chloroprene
Flamepath grease	Fluid film grade AR
Ambient conditions	
Ambient temperature	-20 ... 60 °C (-4 ... 140 °F)
Data for application in connection with hazardous areas	
EU-Type Examination Certificate	SIRA 07 ATEX 1134
Marking	 II 2 GD Ex d IIB T* Ex tD A21 T6/T80 °C @ Ta +60 °C
Maximum power dissipation	31 W
International approvals	
IECEX approval	IECEX TSA 07.0029
Conformity	
Degree of protection	EN60529
Usage category	IEC / EN 60947-3
CE marking	0102
General information	
Supplementary information	EC-Type Examination Certificate, Statement of Conformity, Declaration of Conformity, Attestation of Conformity and instructions have to be observed where applicable. For information see www.pepperl-fuchs.com .
Ordering information	This device will be delivered completely configured and assembled ready for use. For configuration details please contact Customer Service.

Dimensions



Legend

A	Height
B	Width
C	Depth
C1	Depth with operating element
G	Mounting holes distance, vertical
H	Mounting holes distance, horizontal
J	Mounting holes diameter
[A] ... [D]	Cable entry faces

Dimension values see data table. Image and drawing are generic for this device type and may deviate from the specific variant.

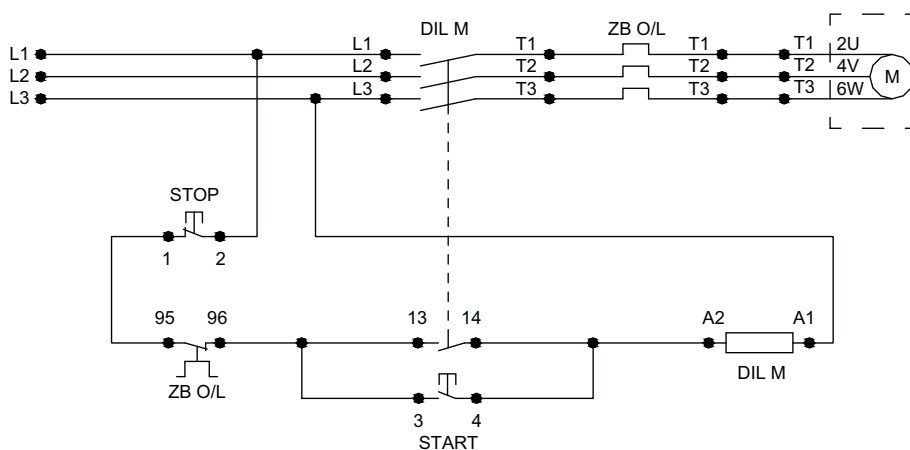
Dimensions and Enclosure Details

Type	External dimensions [mm]				Mounting [mm]			Cable Entries			Terminals	
	A	B	C	C1	G	H	J	Face A M20	Face B M20	Torque [Nm]	Capacity [mm ²]	Torque [Nm]
F7-DOL*	210	210	158	199	187	187	9	2x Stopping Plug	2x metric ISO pitch 1.5	see datasheets of stopping plugs	4	1.7

Electrical Data

Type	Power [kW]	Current [A]	Coil Voltage [V]	Overload relay [A]	Phases
F7-DOL4	4	9	415	7 ... 10	3
F7-DOL5.5	5.5	11	415	9 ... 13	3
F7-DOL7.5	7.5	14	415	12 ... 18	3

Switching Diagram



Release date 2019-07-03 T190442

Refer to "General Notes Relating to Pepperl+Fuchs Product Information".