

**Features**

- Aluminum enclosure
- Ex d and Ex tb certified
- Installation in Zone 1, Zone 2, Zone 21 and Zone 22
- Various contact configurations and pole numbers
- Degree of protection IP66

**Function**

Safe mains power disconnection of machines in hazardous areas zones 1 and 2 up to gas group IIB+H<sub>2</sub> as well as in zones 21 and 22 is guaranteed by switch disconnectors in sturdy EJB series enclosures. Several standard variants are available up to 100 A for AC23 and AC3. Customization of switching components as well as cable entries allow to tailor the solution exactly to the specific requirements.



**Type Code / Model Number**

**Enclosure type**

**EJB** enclosure Ex d IIB+H<sub>2</sub>

**Material**

copper-free aluminum

**Enclosure size**

**0 ... 20A** see dimensions data table

**Window**

no window

**Electrical circuits**

**D** without intrinsically safe circuits

**Type of application**

**PS** power switching

**Function**

**DIS** switch disconnector

**Switching configuration**

xxxx

EJB		4A		.D	.PS	.DIS	.063.3PN.2NO
Example: Switch disconnector EJB size 4A in aluminum, 63 A, main contacts 3x NO + neutral, auxiliary contacts 2x NO							

Release date 2019-07-03 T190589

Refer to "General Notes Relating to Pepperl+Fuchs Product Information".

**Technical Data****Electrical specifications**

Operating voltage see data table

Operating current see data table

Rated impulse withstand voltage 6 kV

Rated frequency 50Hz

Rated insulation voltage 690 V

**Mechanical specifications**Dimensions see data table  
values might differ slightly due to casting and manufacturing tolerances

Enclosure cover fully detachable

Cover fixing stainless steel socket cap head screws

Screws see data table

Yield stress min. 450 N/mm<sup>2</sup>

Degree of protection IP66

Mass see data table

Terminal capacity see data table

Cable entry see data table

Thread type metric ISO pitch 1.5 mm or NPT ANSI ASME B1.20.1

Grounding M6 external grounding points

Function switch disconnector

Switching configuration 2 position with left OFF

Color black with yellow shroud

Labeling 0 - I

Operator action engage - engage

Lockable in 'OFF' position

**Material**

Enclosure Aluminum alloy

Finish epoxy coated RAL 7005 (grey)

Cover seal none

Flamepath grease Greasil MS4 or NEVER SEEZ Marine Grade

**Ambient conditions**

Ambient temperature -20 ... 50 °C (-4 ... 122 °F) @ T6

**Data for application in connection with hazardous areas**

EU-Type Examination Certificate INERIS 14 ATEX 0022X

Marking  II 2 GD  
Ex d IIB+H<sub>2</sub> T\* Gb  
Ex tb IIIC Db**International approvals**

IECEx approval IECEx INE 14.0029X

**Conformity**

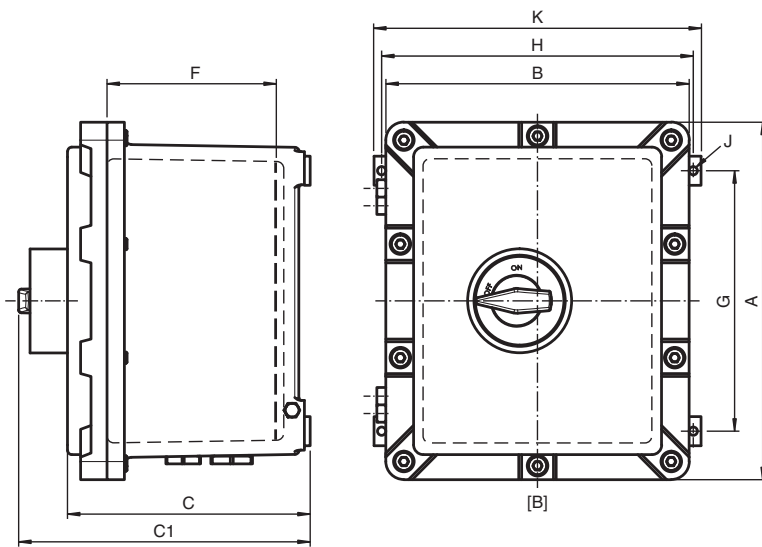
Degree of protection EN60529

Usage category IEC / EN 60947-3

CE marking 0080 or 0102, see type label

**General information**Supplementary information EC-Type Examination Certificate, Statement of Conformity, Declaration of Conformity, Attestation of Conformity and instructions have to be observed where applicable. For information see [www.pepperl-fuchs.com](http://www.pepperl-fuchs.com).

Dimensions



Legend	
A	Height
B	Width
C	Depth
C1	Depth with operating element
G	Mounting holes distance, vertical
H	Mounting holes distance, horizontal
J	Mounting holes diameter
K	Maximum external dimension of the mounting brackets
[B]	Cable entry face

Dimension values see data table. Image and drawing are generic for this device type and may deviate from the specific variant.

Dimensions and Enclosure Details

Type	External dimensions [mm]					Mounting [mm]			Mass approx. [kg]	Cover screws		
	A	B	C	C1	K	G	H	J		Mx	qty.	Torque [Nm]
EJB2A.D.PS.DIS.025.3PN.2NO	220	220	159	190.2	226	157	206	8	16.4	M6	8	15
EJB4A.D.PS.DIS.063.3PN.2NO	265	225	180	210.5	258	188	206	8	18.5	M8	10	20
EJB4A.D.PS.DIS.100.3PN.2NO	265	225	180	210.5	258	188	206	8	18.5	M8	10	20

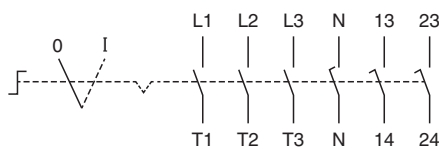
Release date 2019-07-03 T190589

Refer to "General Notes Relating to Pepperl+Fuchs Product Information".

Electrical Data

Type	Operating voltage [V AC max.]	Operating current [A max.]	Short circuit current limitation, recommended	Number of poles	Main contacts		Auxiliary contacts	
					Contact configuration	Usage category	Contact configuration	Usage category
EJB2A.D.PS.DIS.025.3PN.2NO	690	25	35 A, gG	4	4x NO	AC23: 690 V AC - 25 A AC3: 690 V AC - 25 A	2x NO delayed, advanced opening	AC15: 500 V AC - 1.0 A / 440 V AC - 1.5 A / 240 V AC - 2.5 A
EJB4A.D.PS.DIS.063.3PN.2NO	690	63	63 A, gG	4	4x NO	AC23: 690 V AC - 63 A AC3: 690 V AC - 63 A	2x NO delayed, advanced opening	AC15: 500 V AC - 1.5 A / 440 V AC - 3.0 A / 240 V AC - 6.0 A
EJB4A.D.PS.DIS.100.3PN.2NO	690	100	100 A, gG	4	4x NO	AC23: 690 V AC - 100 A AC3: 690 V AC - 100 A	2x NO delayed, advanced opening	AC15: 500 V AC - 1.5 A / 440 V AC - 3.0 A / 240 V AC - 6.0 A

Switching Diagram



	L1	L2	L3	N	13	23
0						
I	X	X	X	X	X	X
	T1	T2	T3	N	14	24

Terminal Configuration and Cable Entries max. Quantity per Size

Type	Main terminals		Grounding terminals		Cable entries Face B			
	Capacity [mm²]	Torque [Nm]	Capacity [mm²]	Torque [Nm]	M20	M25	M32	M40
EJB2A.D.PS.DIS.025.3PN.2NO	2x 1 ... 6	1.25	2x 0.05 ... 4	0.6 max.	1	2	-	-
EJB4A.D.PS.DIS.063.3PN.2NO	2x 1 ... 16	1.8	2x 1.5 ... 25	3.6 max.	1	-	2	-
EJB4A.D.PS.DIS.100.3PN.2NO	2x 1 ... 50	3	2x 2.5 ... 35	5 min.	1	-	-	2

All cable entries are closed with appropriate metal stopping plugs  
For details please refer to individual product datasheets

For further configurations please contact Pepperl+Fuchs