



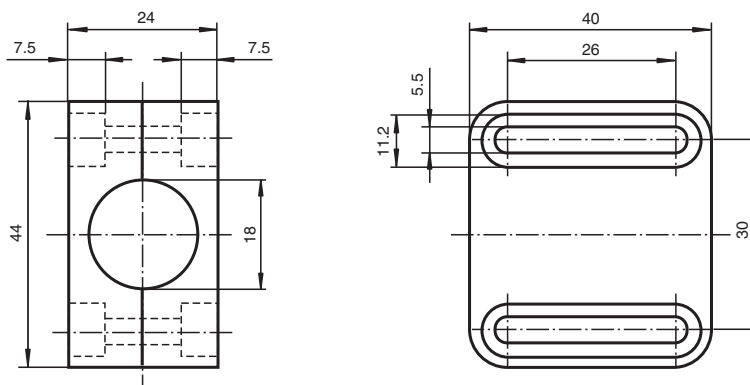
Mounting flange

BF 18

- Retainer for all cylindrical sensors with M18 thread
- Simple installation and exact setting
- Large sensing range (max. 20 mm)

Mounting flange, 18 mm

Dimensions



Technical Data

General specifications	
Inside diameter	18 mm
Ambient conditions	
Ambient temperature	-25 ... 85 °C (-13 ... 185 °F)
Mechanical specifications	
Material	Base: Crastin/PBT (green) Upper section: PA (transparent)
Tightening torque, fastening screws	max. 1.2 Nm
Dimensions	
Height	24 mm
Width	44 mm
Length	40 mm

Release date: 2023-12-20 Date of issue: 2023-12-20 Filename: 000050_eng.pdf

Refer to "General Notes Relating to Pepperl+Fuchs Product Information".

Pepperl+Fuchs Group
www.pepperl-fuchs.com

USA: +1 330 486 0001
fa-info@us.pepperl-fuchs.com

Germany: +49 621 776 1111
fa-info@de.pepperl-fuchs.com

Singapore: +65 6779 9091
fa-info@sg.pepperl-fuchs.com

 PEPPERL+FUCHS