

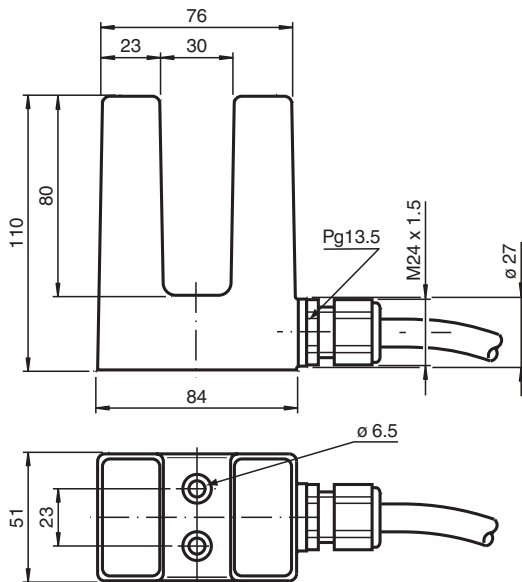
# Inductive slot sensor

## SJ30-A2

- 30 mm slot width
- 4-wire DC



### Dimensions



### Technical Data

#### General specifications

Switching function	complementary	
Output type	PNP	
Slot width	30 mm	
Depth of immersion (lateral)	27 ... 31 mm	
Output polarity	DC	
Output type	4-wire	

#### Nominal ratings

Operating voltage	U <sub>B</sub>	10 ... 30 V DC
Switching frequency	f	0 ... 150 Hz

Release date: 2025-07-14 Date of issue: 2025-07-14 Filename: 000821\_eng.pdf

Refer to "General Notes Relating to Pepperl+Fuchs Product Information".

Pepperl+Fuchs Group  
www.pepperl-fuchs.com

USA: +1 330 486 0001  
fa-info@us.pepperl-fuchs.com

Germany: +49 621 776 1111  
fa-info@de.pepperl-fuchs.com

Singapore: +65 6779 9091  
fa-info@sg.pepperl-fuchs.com

**PF** PEPPERL+FUCHS

## Technical Data

Reverse polarity protection		reverse polarity protected
Short-circuit protection		pulsing
Voltage drop	$U_d$	$\leq 3 \text{ V}$
Operating current	$I_L$	0 ... 200 mA
No-load supply current	$I_0$	$\leq 20 \text{ mA}$
<b>Functional safety related parameters</b>		
MTTF <sub>d</sub>		527 a
Mission Time (T <sub>M</sub> )		20 a
Diagnostic Coverage (DC)		0 %
<b>Compliance with standards and directives</b>		
Standard conformity		
Standards		EN IEC 60947-5-2
<b>Approvals and certificates</b>		
UL approval		cULus Listed Load Type: General Purpose Circuitry: Class 2 Power Source Enclosure Type Rating: Type 1 Supply/Switching Voltage: 30 V DC Output Switching Current: 200 mA
CCC approval		CCC approval / marking not required for products rated $\leq 36 \text{ V}$
<b>Ambient conditions</b>		
Ambient temperature		-25 ... 70 °C (-13 ... 158 °F)
<b>Mechanical specifications</b>		
Connection type		cable
Housing material		ABS
Degree of protection		IP67
<b>Cable</b>		
Wire end ferrules		yes
Cable diameter		6.8 mm $\pm$ 0.2 mm
Bending radius		> 10 x cable diameter
Material		PVC
Color		grey
Number of cores		4
Core cross section		0.75 mm <sup>2</sup>
Length	L	2 m
<b>Dimensions</b>		
Height		110 mm
Width		51 mm
Length		84 mm

## Connection Assignment

