



Model Number

CJ40-FP-W-P4

Features

- 40 mm non-flush
- 2-wire AC
- The switching distance can be set over a wide range with the potentiometer

Technical Data

General specifications

Switching element function	AC	NO/NC
Rated operating distance	s_n	40 mm
Installation		non-flush
Output polarity		AC
Assured operating distance	s_a	0 ... 32.4 mm

Nominal ratings

Installation conditions		
B		40 mm
C		80 mm
F		120 mm
Operating voltage	U_B	20 ... 250 V AC ¹⁾
Switching frequency	f	0 ... 10 Hz
Reverse polarity protection		reverse polarity tolerant
Voltage drop	U_d	≤ 5 V AC
Momentary current (20 ms, 0.1 Hz)		0 ... 4000 mA
Operating current	I_L	10 ... 500 mA
Off-state current	I_r	0 ... 2.5 mA typ.
Switching state indicator		LED, red

Indicators/operating means

Potentiometer	sensitivity adjustment
---------------	------------------------

Ambient conditions

Ambient temperature	-25 ... 70 °C (-13 ... 158 °F)
---------------------	--------------------------------

Mechanical specifications

Connection type	screw terminals
Information for connection	A maximum of two conductors with the same core cross-section may be mounted on one terminal connection! tightening torque 1.2 Nm + 10 % up to 2.5 mm ²
Core cross-section	up to 2.5 mm ²
Minimum core cross-section	without wire end ferrule 0.5 mm ² , with connector sleeves 0.34 mm ²
Maximum core cross-section	without wire end ferrule 2.5 mm ² , with connector sleeves 1.5 mm ²
Housing material	PBT/POM
Sensing face	PBT/POM
Housing base	metal
Degree of protection	IP65
Note	¹⁾ In the temperature range below 0 °C, permissible operating voltage U_B 80...253 V Safety fuse ≤ 1.5 A (quick-blow) according to IEC 60127-2 Sheet 1 Recommendation: after a short circuit, check that the device is functioning correctly.

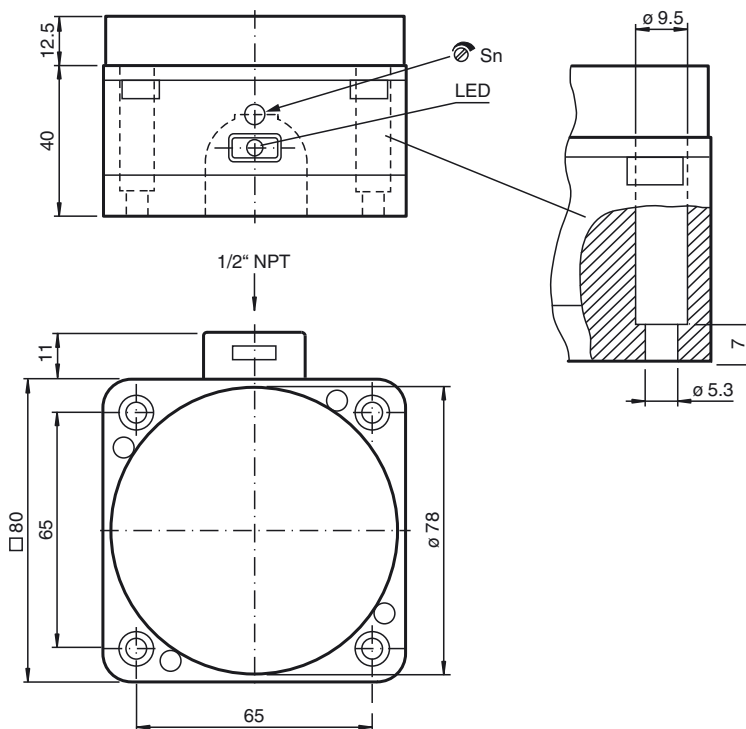
Compliance with standards and directives

Standard conformity	
Standards	EN 60947-5-2:2007 IEC 60947-5-2:2007

Approvals and certificates

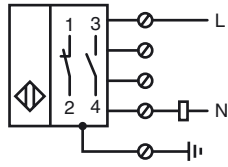
UL approval	cULus Listed, General Purpose
CSA approval	cCSAus Listed, General Purpose

Dimensions



Release date: 2016-09-29 11:44 Date of issue: 2016-10-10 010385_eng.xml

Electrical Connection



Installation Conditions

