



Model Number

NJ15+U1+N

Features

- Comfort series
- 15 mm flush

Technical Data

General specifications

Switching element function		NAMUR, NC
Rated operating distance	s_n	15 mm
Installation		flush
Output polarity		NAMUR
Assured operating distance	s_a	0 ... 12.15 mm
Reduction factor r_{Al}		0.4
Reduction factor r_{Cu}		0.3
Reduction factor r_{304}		0.85

Nominal ratings

Nominal voltage	U_o	8 V
Switching frequency	f	0 ... 150 Hz
Current consumption		
Measuring plate not detected		≥ 3 mA
Measuring plate detected		≤ 1 mA

Standard conformity

EMC in accordance with	IEC / EN 60947-5-2:2004
Standards	DIN EN 60947-5-6 (NAMUR)

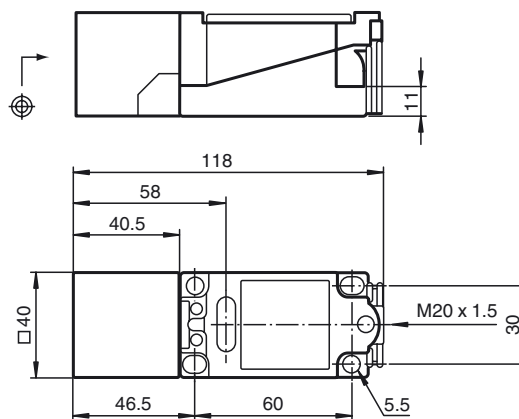
Ambient conditions

Ambient temperature	-25 ... 100 °C (-13 ... 212 °F)
---------------------	---------------------------------

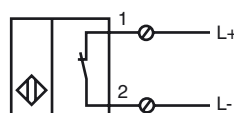
Mechanical specifications

Core cross-section	up to 2.5 mm ²
Housing material	PBT
Sensing face	PBT
Degree of protection	IP68

Dimensions



Electrical Connection





ATEX

Data for Ex areas

Effective internal inductivity	C_i	$\leq 290 \text{ nF}$
Effective internal inductance	L_i	$\leq 110 \text{ }\mu\text{H}$

Release date: 2015-02-24 11:20 Date of issue: 2015-02-25 011691_eng.xml