



Model number

KCX-B6WM-V



Features

- Addition/Subtraction counter
- 2 Pre-selections
- 6 decade devices
- LED indicator, green
- Counter frequency up to 20 kHz
- Power supply for pulse counter
- Positive or negative logic
- Display storage
- Counting frequency selectable via toggle switch 10 Hz / 20 kHz
- PNP or NPN output stages selectable
- 16 different operating modes
- Reset of the outputs, automatic or with external signal
- Flexible dust and spray protection cover in delivery package
- Base for surface or built-in mounting
- PNP and NPN sensors can be connected
- Accessory can be ordered separately

Technical data

General specifications

Pre-selection	2-fold
Data storage	2000 h at 25 °C battery, charging time ≤ 50 h
Programming	via toggle switches and rotary switches

Indicators/operating means

Type	LED green
Number of decades	6
Display value	digit height 8 mm
Pre-selection	via push-button decade switch
Key interlock	none
Decimal point	not adjustable
Reset	automatically or externally

Electrical specifications

Operating voltage	115 / 230 AC
Power consumption P ₀	7 VA

Input

Sensor supply	24 V DC, 75 mA
Counting frequency	10 Hz / 20 kHz
Impedance	2.3/4.7 kOhm (PNP/NPN)
Voltage	low: 0 ... 6 V DC high: 16 ... 30 V DC
Counting method	adding or subtracting

Output

Relay	NO (250 V AC/2 A)
Transistor	PNP, open collector (24 V/15 mA) NPN, open collector (35 V, 30 mA)
Delay	relay: ≤ 40 ms (≤ 10 ms at 20 kHz) transistor: ≤ 30 ms (≤ 30 μs at 20 kHz)
Duration of momentary impulse	50 ... 1000 ms

Delay times

Reset	
External	5 ms / 5 ms
Automatic	50 μs
Hold-input	≤ 25 μs
Time delay before availability	0,2 s after restart

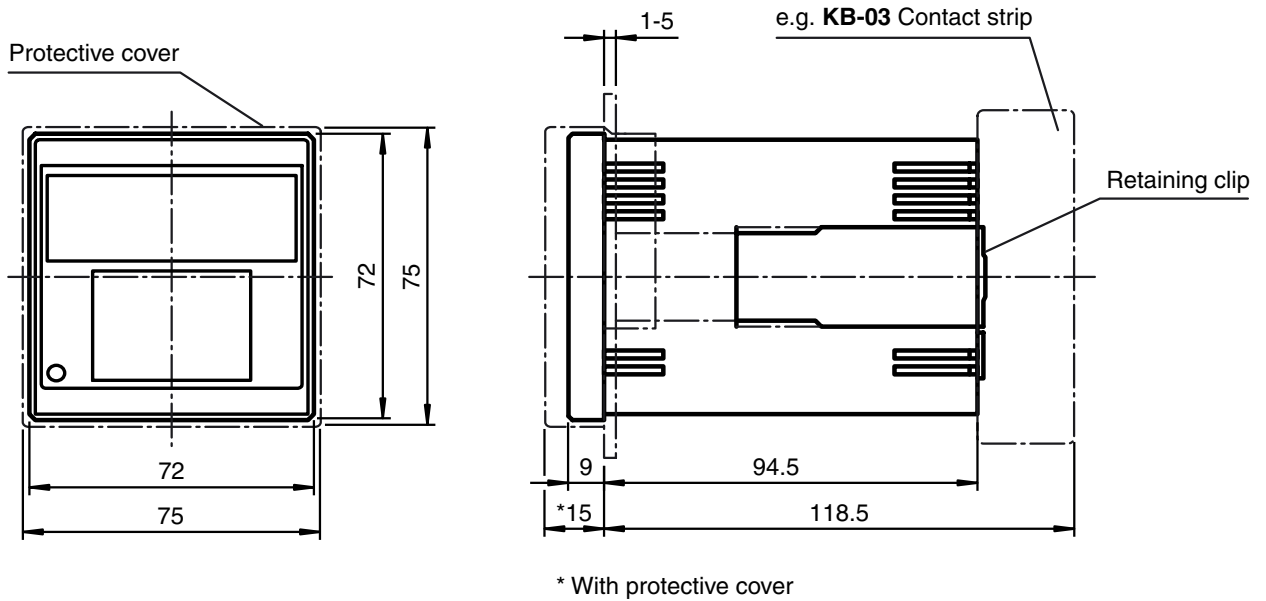
Ambient conditions

Ambient temperature	-10 ... 70 °C (263 ... 343 K)
Storage temperature	-25 ... 70 °C (248 ... 343 K)
Relative humidity	≤ 80 % (non condensing)

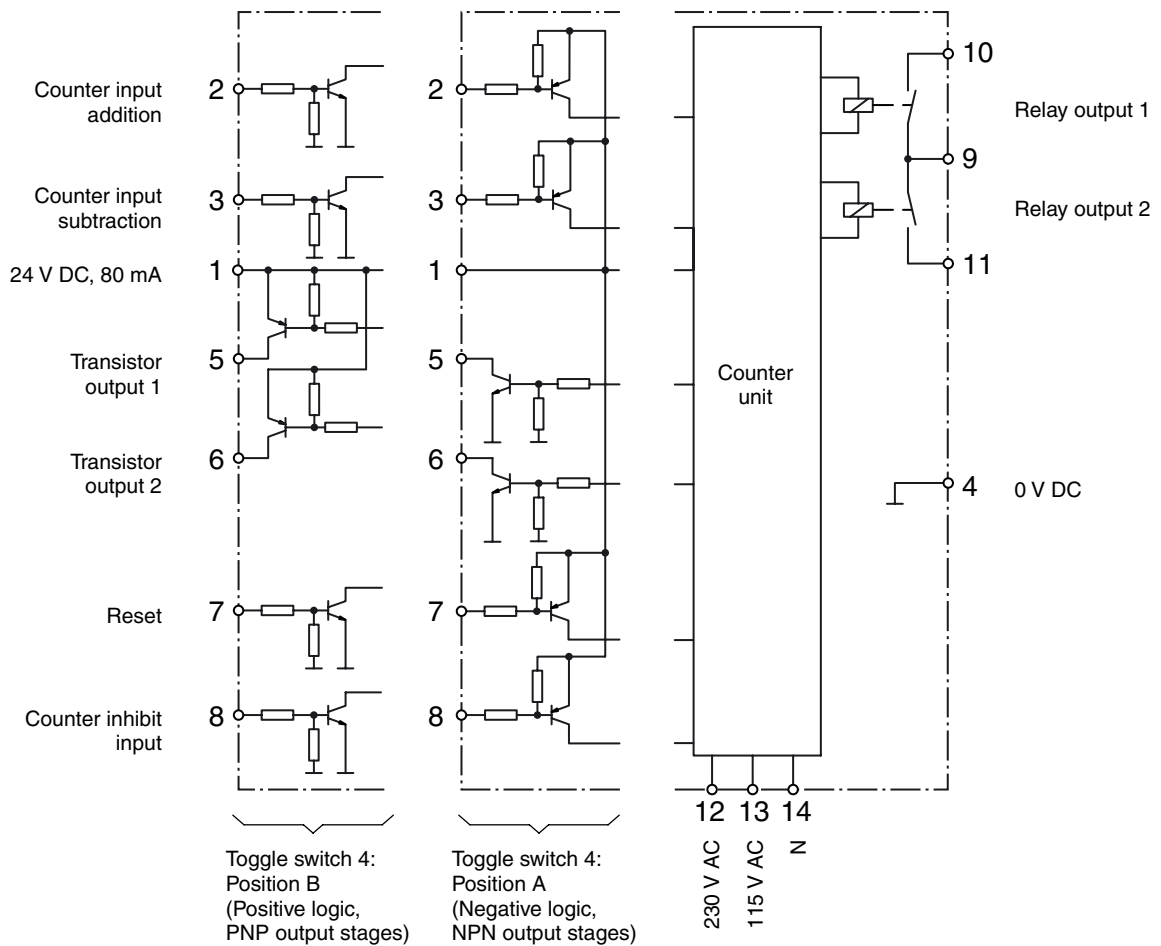
Mechanical specifications

Connection	screw terminals max. core cross-section 0.34 ... 1.5 mm ²
Mass	approx. 500 g
Dimensions	72 x 72 x 104 mm

Indicating / Operating means / Dimensions



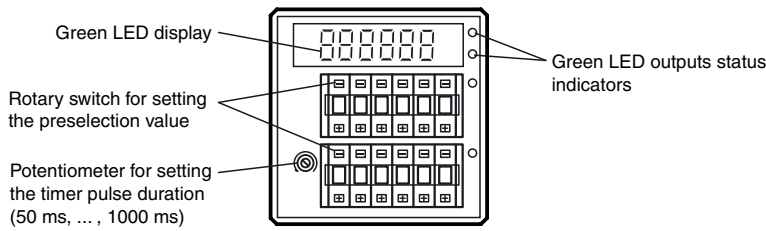
Electrical connection



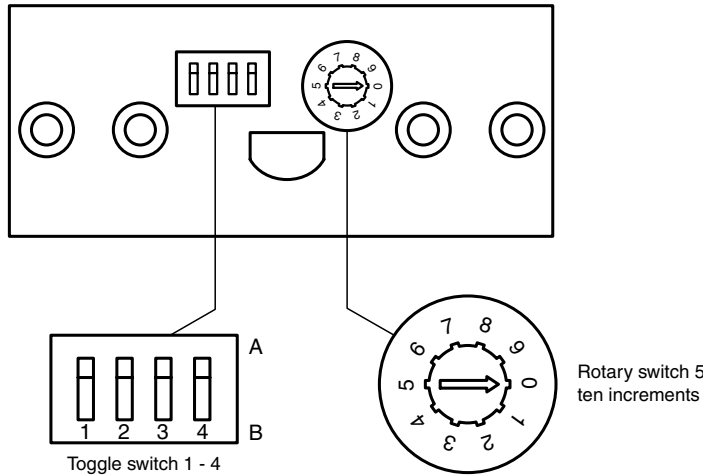
Date of issue 2004-04-26 015568_ENG.xml

Notes

Controls and indicators



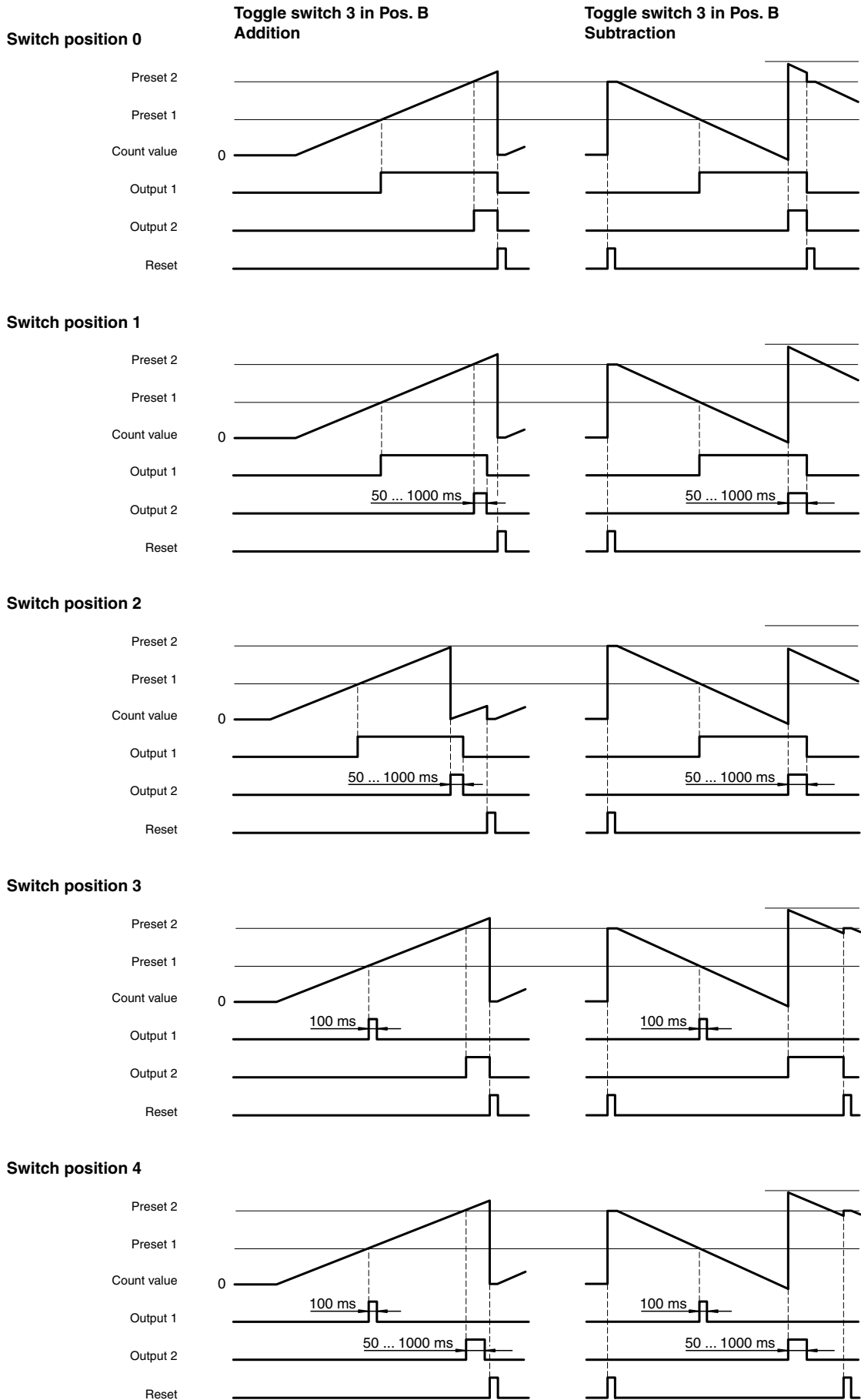
Rear view of counter



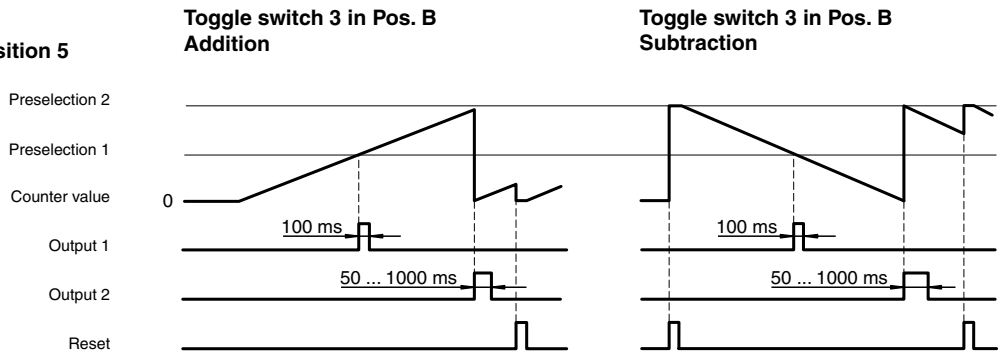
Toggle switch functions

Switch No.	Function	Switch position	Mode of operation
1	Maximum counting frequency	A	Counting frequency 10 Hz
		B	Counting frequency 20 kHz
2	Input operating mode	A	Separate signals for addition/subtraction
		B	2 signals, displaced in phase by 90°
3	Start value after activation of reset	A	On reset, the counter jumps to the set preselection 2.
		B	On reset, the counter jumps to 0.
4	Positive or negative logic	A	Negative input logic, NPN-outputs
		B	Positive input logic, PNP-outputs

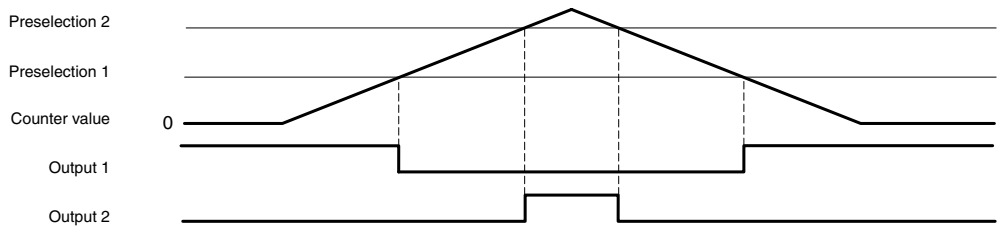
Output operating modes



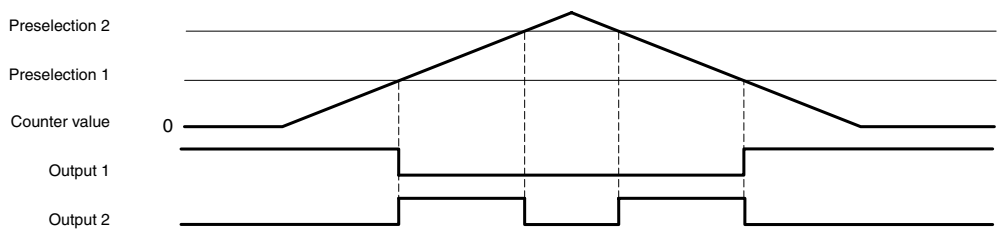
Switch position 5



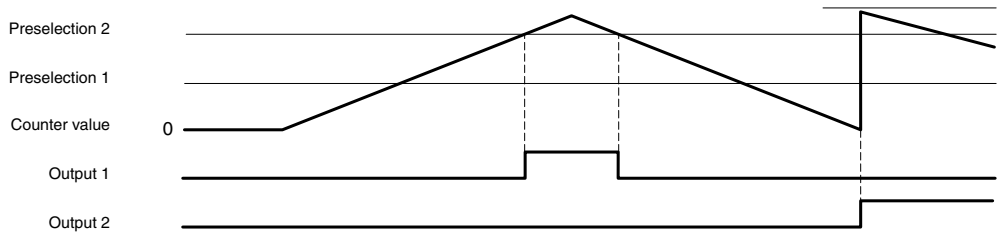
Switch position 6



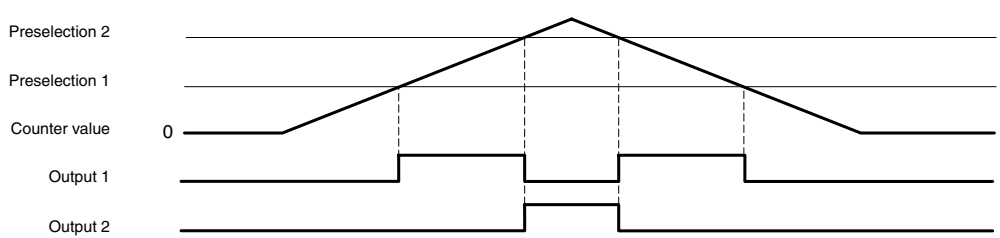
Switch position 7



Switch position 8



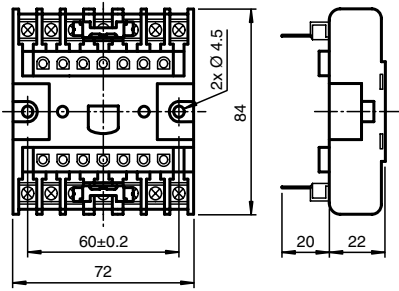
Switch position 9



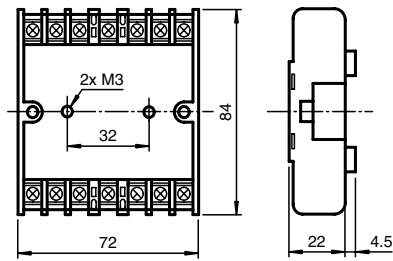
Accessories

KF-03, KB-03

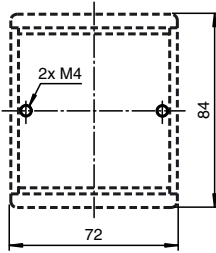
KF-03, Base for surface mounting



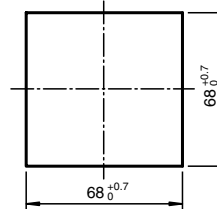
KB-03, Base for built-in installation



Base fixing **KF-03**

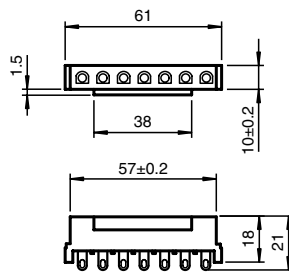


Installation cut-out



KA-01

KA-01, Base for soldered connection

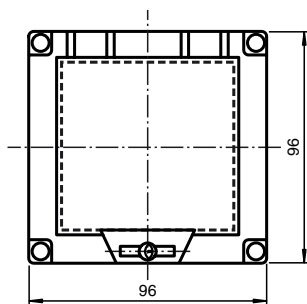


The KC-01 consists of 2 individual bases for solder connection, including the fixing bracket.

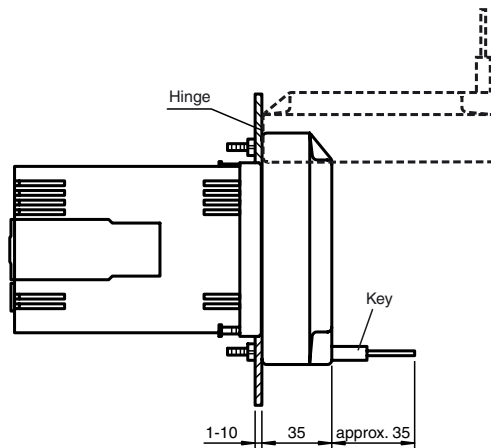
FPL-01

incl. 4 fixing screws and 2 keys

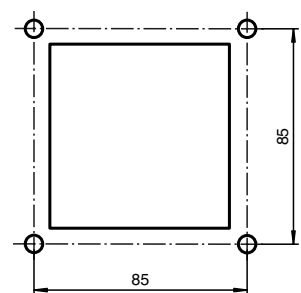
FPL-01 Lockable front frame



Dimensions relevant to use of the lockable front frame.



Installation cut-out



Ø4.5 mm for M4 screws