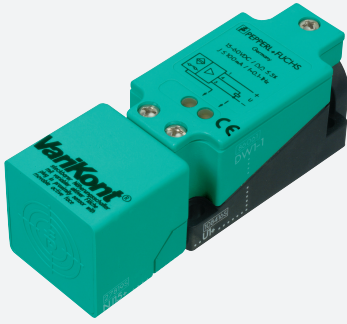


# Inductive rotation speed monitor

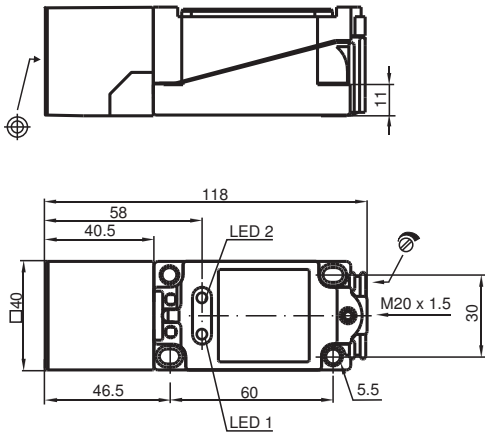
## NJ15+U1+DW2-1



- Rotational speed controller
- 15 mm flush
- Start-up override time = approx. 30 s



### Dimensions



### Technical Data

#### General specifications

Switching function		Normally open (NO)
Frequency range		0.1 ... 1 Hz , adjustable
Rated operating distance	$s_n$	15 mm
Installation		flush
Output polarity		AC
Assured operating distance	$s_a$	0 ... 12.15 mm
Reduction factor $r_{Al}$		0.4
Reduction factor $r_{Cu}$		0.3
Reduction factor $r_{304}$		0.85
Output type		3-wire

#### Nominal ratings

Operating voltage	$U_B$	90 ... 250 V AC
Short-circuit protection		no

Release date: 2020-12-10 Date of issue: 2020-12-10 Filename: 015951\_eng.pdf

Refer to "General Notes Relating to Pepperl+Fuchs Product Information".

Pepperl+Fuchs Group  
www.pepperl-fuchs.com

USA: +1 330 486 0001  
fa-info@us.pepperl-fuchs.com

Germany: +49 621 776 1111  
fa-info@de.pepperl-fuchs.com

Singapore: +65 6779 9091  
fa-info@sg.pepperl-fuchs.com

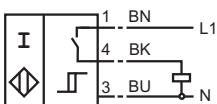
**PF** PEPPERL+FUCHS

## Technical Data



Voltage drop	$U_d$	$\leq 3$ V
Momentary current (20 ms, 0.1 Hz)		0 ... 1000 mA
Operating current	$I_L$	0 ... 150 mA
Off-state current	$I_r$	0 ... 0.8 mA typ.
Switching state indicator		LED 1: yellow
Damping indicator		LED 2: yellow
<b>Functional safety related parameters</b>		
MTTF <sub>d</sub>		860 a
Mission Time (T <sub>M</sub> )		20 a
Diagnostic Coverage (DC)		0 %
<b>Compliance with standards and directives</b>		
Standard conformity		
Standards		EN 60947-5-2:2007 IEC 60947-5-2:2007
<b>Approvals and certificates</b>		
UL approval		cULus Listed, General Purpose
CSA approval		cCSAus Listed, General Purpose
CCC approval		Certified by China Compulsory Certification (CCC)
<b>Ambient conditions</b>		
Ambient temperature		-25 ... 70 °C (-13 ... 158 °F)
<b>Mechanical specifications</b>		
Connection type		screw terminals
Core cross-section		up to 2.5 mm <sup>2</sup>
Housing material		PBT
Sensing face		PBT
Degree of protection		IP67
Note		1) In the temperature range below 0 °C, permissible operating voltage $U_b$ 80...253 V Safety fuse $\leq 0.2$ A (quick-blow) according to IEC 60127-2 Sheet 1 Recommendation: after a short circuit, check that the device is functioning correctly.

## Connection

DW2



## Accessories

	<b>MH 04-2681F</b>	Mounting aid for VariKont, +U1+ and +U9*
	<b>V1-M20-80</b>	Receptacles, M12/M20; plastic version