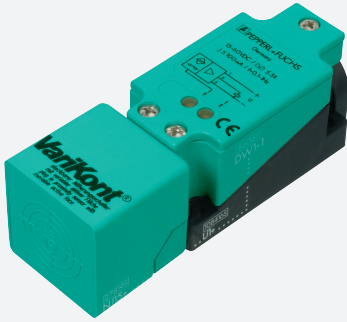


Inductive rotation speed monitor

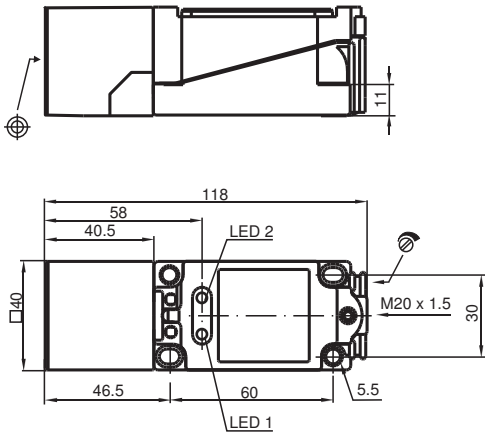
NJ15+U1+DW2-100



- Rotational speed controller
- 15 mm flush
- Start-up override time = approx. 30 s
- Up to 100 Hz



Dimensions



Technical Data

General specifications

Switching function		Normally open (NO)
Frequency range		10 ... 100 Hz , adjustable
Rated operating distance	s_n	15 mm
Installation		flush
Output polarity		AC
Assured operating distance	s_a	0 ... 12.15 mm
Reduction factor r_{Al}		0.4
Reduction factor r_{Cu}		0.3
Reduction factor r_{304}		0.85
Output type		3-wire

Nominal ratings

Operating voltage	U_B	90 ... 250 V AC
Short-circuit protection		no

Release date: 2020-12-10 Date of issue: 2020-12-10 Filename: 015953_eng.pdf

Refer to "General Notes Relating to Pepperl+Fuchs Product Information".

Pepperl+Fuchs Group
www.pepperl-fuchs.com

USA: +1 330 486 0001
fa-info@us.pepperl-fuchs.com

Germany: +49 621 776 1111
fa-info@de.pepperl-fuchs.com

Singapore: +65 6779 9091
fa-info@sg.pepperl-fuchs.com

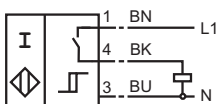
PF PEPPERL+FUCHS

Technical Data



Voltage drop	U_d	≤ 3 V
Momentary current (20 ms, 0.1 Hz)		0 ... 1000 mA
Operating current	I_L	0 ... 150 mA
Off-state current	I_r	0 ... 0.8 mA typ.
Switching state indicator		LED 1: yellow
Damping indicator		LED 2: yellow
Functional safety related parameters		
MTTF _d		860 a
Mission Time (T _M)		20 a
Diagnostic Coverage (DC)		0 %
Compliance with standards and directives		
Standard conformity		
Standards		EN 60947-5-2:2007 IEC 60947-5-2:2007
Approvals and certificates		
UL approval		cULus Listed, General Purpose
CSA approval		cCSAus Listed, General Purpose
CCC approval		Certified by China Compulsory Certification (CCC)
Ambient conditions		
Ambient temperature		-25 ... 70 °C (-13 ... 158 °F)
Mechanical specifications		
Connection type		screw terminals
Core cross-section		up to 2.5 mm ²
Housing material		PBT
Sensing face		PBT
Degree of protection		IP67
Note		1) In the temperature range below 0 °C, permissible operating voltage U_b 80...253 V Safety fuse ≤ 0.2 A (quick-blow) according to IEC 60127-2 Sheet 1 Recommendation: after a short circuit, check that the device is functioning correctly.

Connection

DW2



Accessories

	MH 04-2681F	Mounting aid for VariKont, +U1+ and +U9*
	V1-M20-80	Receptacles, M12/M20; plastic version

Release date: 2020-12-10 Date of issue: 2020-12-10 Filename: 015953_eng.pdf