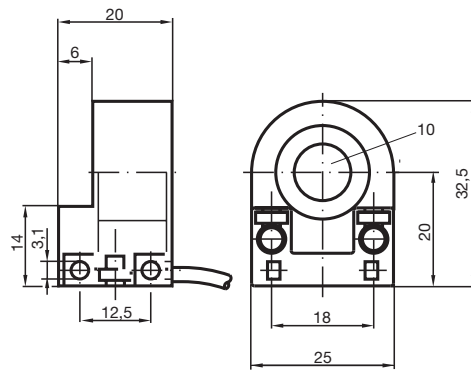


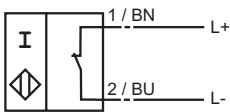
Comfort series
10 mm inside diameter



Switching element function	NAMUR NC
Inside diameter	10 mm
Installation	
Measuring cylinder	
Diameter	2,5 mm
Length	4 mm
Nominal voltage U_o	8 V
Operating voltage U_B	5 ... 25 V
Switching frequency f	0 ... 2000 Hz
Current consumption	
Measuring plate not detected	≥ 3 mA
Measuring plate detected	≤ 1 mA
EMC in accordance with	EN 60947-5-2
Standards	DIN EN 60947-5-6 (NAMUR)
Ambient temperature	-25 ... 70 °C (248 ... 343 K)
Connection type	2 m, PVC cable
Core cross-section	0.14 mm ²
Housing material	PBT
Protection degree	IP67

Connection_type:

N / NO



Data for Ex areas

Effective internal inductivity C_i	$\leq 25 \text{ nF}$
Effective internal inductance L_i	$\leq 10 \text{ }\mu\text{H}$