



### Model Number

SJ3,5-E2

### Features

- Comfort series
- 3.5 mm slot width

## Technical Data

### General specifications

Switching element function	PNP	NO
Slot width	3.5 mm	
Depth of immersion (lateral)	5 ... 7 typ. 6 mm	
Installation		
Output polarity	DC	

### Nominal ratings

Nominal voltage	$U_o$	8 V
Operating voltage	$U_B$	10 ... 30 V
Switching frequency	$f$	0 ... 2000 Hz
Reverse polarity protection	reverse polarity protected	
Short-circuit protection	pulsing	
Voltage drop	$U_d$	$\leq 3$ V
Operating current	$I_L$	0 ... 100 mA
No-load supply current	$I_0$	$\leq 15$ mA
Switching state indicator	LED, yellow	

### Standard conformity

EMC in accordance with	IEC / EN 60947-5-2:2004
------------------------	-------------------------

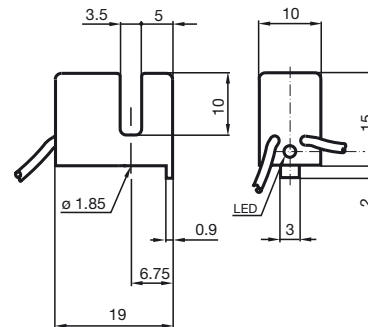
### Ambient conditions

Ambient temperature	-25 ... 70 °C (-13 ... 158 °F)
---------------------	--------------------------------

### Mechanical specifications

Core cross-section	0.14 mm <sup>2</sup>
Housing material	PBT
Degree of protection	IP67

## Dimensions



## Electrical Connection

