

**Model Number**

RJ10-BI-Y20593

Technical Data**General specifications**

Output type	NAMUR, bistable
Installation	non-flush
Inside diameter	10 mm
Measuring cone	1/8" (3.175mm)
Material	SS18
Passage speed	v ≤ 10 m/s
Output type	2-wire

Nominal ratings

Operating voltage	U_B	5 ... 25 V
Hysteresis	H	typ. 1 %
Reverse polarity protection		reverse polarity protected

Design data

Current consumption		
Passage B $U_B=8V$		≥ 3 mA
Passage B $U_B=10V$		≥ 4.2 mA
Passage A $U_B=10V$		0.5 ... 1 mA typ. 0.9 mA
Passage A $U_B=8V$		0.5 ... 0.95 mA typ. 0.8 mA
Time delay before availability	t_v	≤ 5 ms

Standard conformity

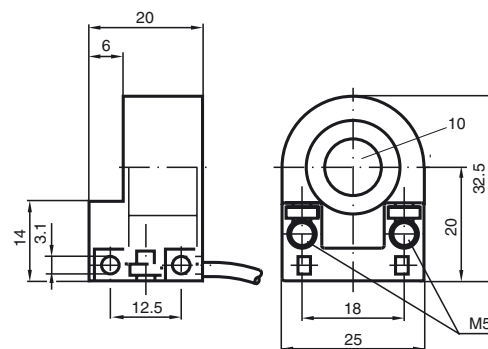
Standards	DIN EN 60947-5-6 (NAMUR)
-----------	--------------------------

Ambient conditions

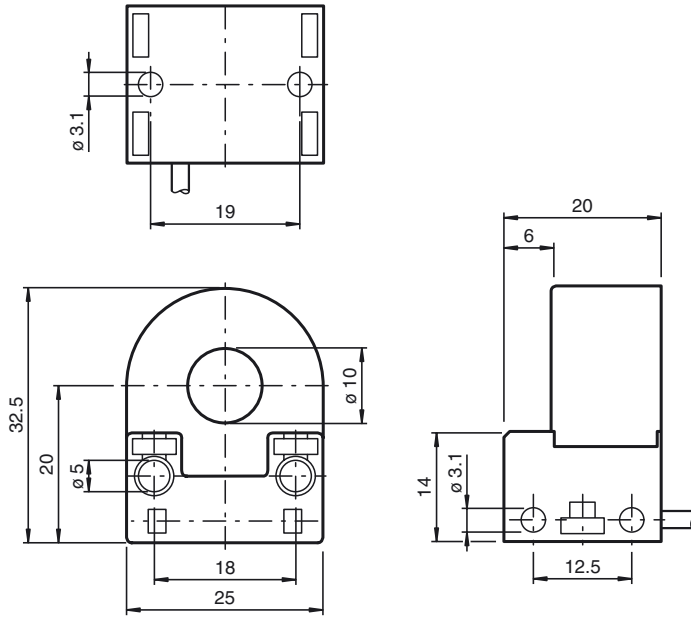
Ambient temperature	10 ... 40 °C (50 ... 104 °F)
---------------------	------------------------------

Mechanical specifications

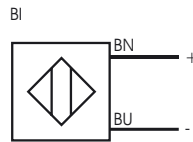
Core cross-section	0.14 mm ²
Housing material	PC
Degree of protection	IP67

Dimensions

Dimensions



Electrical Connection



ATEX

Data for Ex areas

Effective internal capacitance	C_i	≤ 90 nF
Effective internal inductance	L_i	≤ 20 μ H