

# Inductive sensor

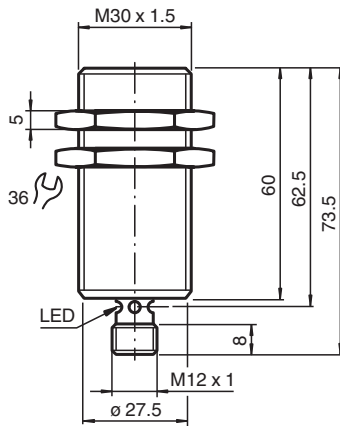
## NEB22-30GM60-E2-V1



- 22 mm quasi flush
- Increased operating distance



### Dimensions



### Technical Data

#### General specifications

Switching function		Normally open (NO)
Output type		PNP
Rated operating distance	$s_n$	22 mm
Installation		quasi flush
Output polarity		DC
Assured operating distance	$s_a$	0 ... 17.8 mm
Reduction factor $r_{Al}$		0.25
Reduction factor $r_{Cu}$		0.22
Reduction factor $r_{304}$		0.65
Output type		3-wire

#### Nominal ratings

Installation conditions		
A		6 mm
B		37 mm
C		66 mm
F		80 mm
Operating voltage	$U_B$	10 ... 30 V

Release date: 2024-05-28 Date of issue: 2024-06-08 Filename: 023490\_eng.pdf

Refer to "General Notes Relating to Pepperl+Fuchs Product Information".

Pepperl+Fuchs Group  
www.pepperl-fuchs.com

USA: +1 330 486 0001  
fa-info@us.pepperl-fuchs.com

Germany: +49 621 776 1111  
fa-info@de.pepperl-fuchs.com

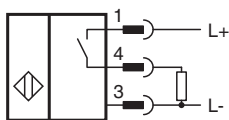
Singapore: +65 6779 9091  
fa-info@sg.pepperl-fuchs.com

**PEPPERL+FUCHS**

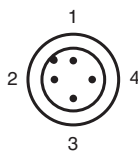
## Technical Data

Switching frequency	f	0 ... 150 Hz
Hysteresis	H	≤ 10 %
Reverse polarity protection		reverse polarity protected
Short-circuit protection		pulsing
Voltage drop	$U_d$	≤ 5 V
Operating current	$I_L$	0 ... 200 mA
Off-state current	$I_r$	≤ 0.1 mA
No-load supply current	$I_0$	≤ 10 mA
Switching state indicator		LED, yellow
<b>Functional safety related parameters</b>		
MTTF <sub>d</sub>		213 a
Mission Time (T <sub>M</sub> )		20 a
Diagnostic Coverage (DC)		0 %
<b>Compliance with standards and directives</b>		
Standard conformity		
Standards		EN IEC 60947-5-2
<b>Approvals and certificates</b>		
UL approval		cULus Listed, General Purpose
CCC approval		CCC approval / marking not required for products rated ≤36 V
<b>Ambient conditions</b>		
Ambient temperature		-25 ... 70 °C (-13 ... 158 °F)
<b>Mechanical specifications</b>		
Connection type		Connector plug M12 x 1 , 4-pin
Housing material		chromium plated brass
Sensing face		PBT
Degree of protection		IP67
Dimensions		
Length		73.5 mm
Diameter		30 mm

## Connection



## Connection Assignment

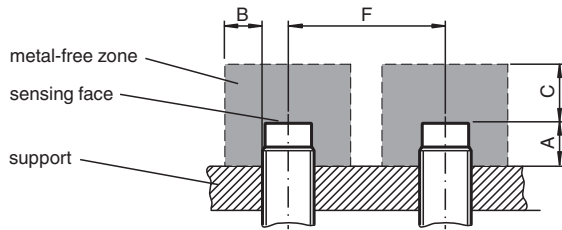


## Connection Assignment

Wire colors in accordance with EN 60947-5-2

1	BN	(brown)
2	WH	(white)
3	BU	(blue)
4	BK	(black)

## Installation



Release date: 2024-05-28 Date of issue: 2024-06-08 Filename: 023490\_eng.pdf

Refer to "General Notes Relating to Pepperl+Fuchs Product Information".

Pepperl+Fuchs Group  
www.pepperl-fuchs.com

USA: +1 330 486 0001  
fa-info@us.pepperl-fuchs.com

Germany: +49 621 776 1111  
fa-info@de.pepperl-fuchs.com

Singapore: +65 6779 9091  
fa-info@sg.pepperl-fuchs.com