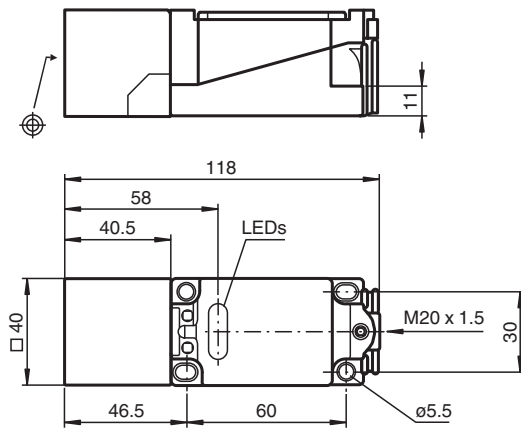


Inductive sensor NJ15+U1+A2-Y23796

- With motor vehicle protection circuit for solenoid valves < 30 W



Dimensions



Technical Data

General specifications

Rated operating distance	s_n	15 mm
Installation		flush
Output polarity		DC
Assured operating distance	s_a	0 ... 12.15 mm
Reduction factor r_{Al}		0.4
Reduction factor r_{Cu}		0.3
Reduction factor r_{304}		0.85
Output type		4-wire

Nominal ratings

Operating voltage	U_B	10 ... 30 V
Switching frequency	f	0 ... 150 Hz
Hysteresis	H	typ. 3 %
Reverse polarity protection		Reverse polarity protection
Short-circuit protection		pulsing
Voltage drop	U_d	≤ 3 V
Operating current	I_L	... 5 A

Release date: 2020-09-15 Date of issue: 2020-09-15 Filename: 023796_eng.pdf

Refer to "General Notes Relating to Pepperl+Fuchs Product Information".

Pepperl+Fuchs Group
www.pepperl-fuchs.com

USA: +1 330 486 0001
fa-info@us.pepperl-fuchs.com

Germany: +49 621 776 1111
fa-info@de.pepperl-fuchs.com

Singapore: +65 6779 9091
fa-info@sg.pepperl-fuchs.com

PEPPERL+FUCHS

Technical Data

No-load supply current	I_0	≤ 20 mA
Time delay before availability	t_v	≤ 20 ms
Operating voltage indicator		LED, green
Switching state indicator		LED, yellow
Compliance with standards and directives		
Standard conformity		
Standards		EN 60947-5-2:2007 IEC 60947-5-2:2007
Ambient conditions		
Ambient temperature		-40 ... 80 °C (-40 ... 176 °F)
Mechanical specifications		
Connection type		terminal compartment
Core cross-section		up to 2.5 mm ²
Housing material		PBT
Sensing face		PBT
Degree of protection		IP68

Connection

