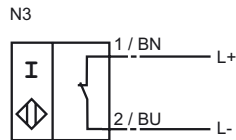
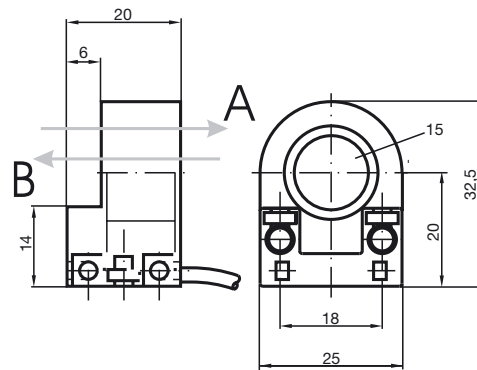




CE

Model Number

RC15-14-N3-Y29927

Connection**Dimensions****Technical Data****General specifications**

Switching element function

Installation

Passage speed $v \leq 10 \text{ m/s}$ **Nominal ratings**Operating voltage U_B 5 ... 25 VHysteresis H typ. 1 %

Reverse polarity protected reverse polarity protected

Current consumption

Passage B $U_B=8\text{V}$ $\geq 3 \text{ mA}$ Passage B $U_B=10\text{V}$ $\geq 4.2 \text{ mA}$ Passage A $U_B=10\text{V}$ 0.5 ... 1 mA typ. 0.9 mAPassage A $U_B=8\text{V}$ 0.5 ... 0.95 mA typ. 0.8 mA**Standard conformity**

Standards DIN EN 60947-5-6 (NAMUR)

Ambient conditionsAmbient temperature $-20 \dots 65 \text{ }^\circ\text{C}$ ($-4 \dots 149 \text{ }^\circ\text{F}$)Storage temperature $-40 \dots 100 \text{ }^\circ\text{C}$ ($-40 \dots 212 \text{ }^\circ\text{F}$)**Mechanical specifications**Core cross-section 0.14 mm²

Housing material PBT/PPS

Protection degree IP67

ATEX

Data for Ex areas

Effective internal inductivity	C_i	≤ 90 nF
Effective internal inductance	L_i	≤ 70 μ H

Release date: 2012-05-04 09:24 Date of issue: 2012-05-04 029927_eng.xml