



Model Number

NCN40+U1+Z0

Technical Data

General specifications

Switching element function		DC	NO
Rated operating distance	s_n	40 mm	
Installation		non-flush	
Assured operating distance	s_a	0 ... 32.4 mm	
Reduction factor r_{Al}		0.45	
Reduction factor r_{Cu}		0.45	
Reduction factor r_{304}		0.8	

Nominal ratings

Operating voltage	U_B	5 ... 60 V
Switching frequency	f	0 ... 20 Hz
Hysteresis	H	1 ... 10 typ. 5 %
Reverse polarity protection		reverse polarity tolerant
Short-circuit protection		pulsing
Voltage drop	U_d	≤ 5 V
Voltage drop at I_L		Voltage drop $U_{dL} = 20$ mA, switching element 3.4 ... 5 V typ. 4.3 V on U_d

Voltage drop $U_{dL} = 20$ mA, switching element 3.4 ... 5 V typ. 4.3 V on U_d

Operating current	I_L	2 ... 200 mA
Lowest operating current	I_m	2 mA
Off-state current	I_r	0 ... 1 mA typ. 0.7 mA
Time delay before availability	t_v	≤ 100 ms
Switching state indicator		LED, yellow
Pre-fault indicator		Z0: LED red

Ambient conditions

Ambient temperature	-25 ... 70 °C (-13 ... 158 °F)
Storage temperature	-25 ... 85 °C (-13 ... 185 °F)

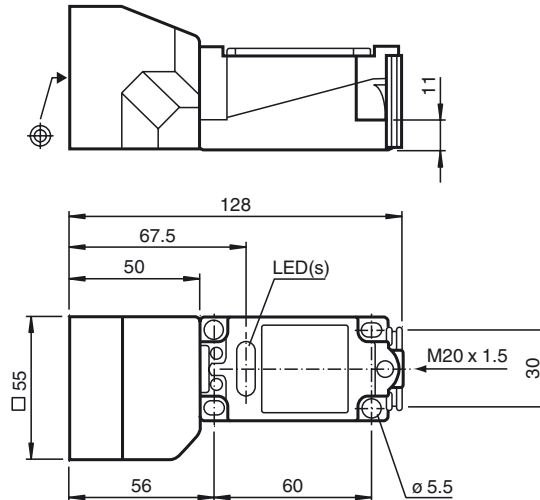
Mechanical specifications

Connection type	terminal compartment
Core cross-section	up to 2.5 mm ²
Housing material	PBT
Sensing face	PBT
Degree of protection	IP68

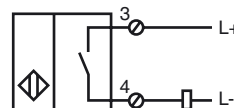
Compliance with standards and directives

Standard conformity	
Standards	EN 60947-5-2:2007 IEC 60947-5-2:2007

Dimensions



Electrical Connection



Release date: 2015-02-24 11:14 Date of issue: 2015-02-25 030305_eng.xml