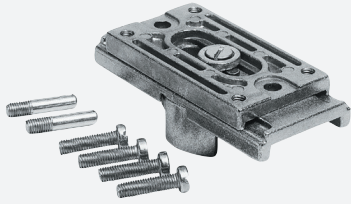
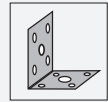


Mounting aid MH 04-2681F



- Suitable for VariKont, +U1+ and +U9* sensors
- Fixing screws for VariKont included in delivery

Mounting aid for VariKont, +U1+ and +U9*

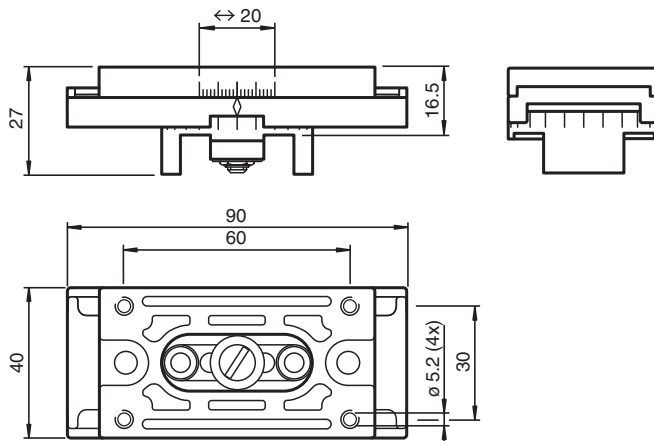
Function

The mounting bracket type 04-2681 simplifies the adjustment of sensors of the model line VariKont® and the series +U1+ and +U9* according to DIN 43694, EN 50025 or EN 50037.

Fitting is simple using the well-tried and tested C section rail (e.g. NIEDAX GmbH) according to EN 50024 (15 mm x 30 mm x 1.5 mm). For existing installations, the mounting bracket is suitable for the C section rail according to the expiring DIN 43662 (15 mm x 30 mm x 2 mm). Instead of the C section rail, two-point fitting is possible. The respective drill holes are accessible via the middle guiding slot. Screws M5 x 16 mm can be used.

Large adjusting ranges in x and y direction and the 360° turning range simplify and reduce the mounting and adjustment work. The selected position can be adjusted by tightening the sensor mounting screws (included in the delivery package).

Dimensions



Technical Data

| | |
|----------------------------------|---|
| Standard conformity | |
| Standards | IEC 68-2-6, IEC 68-2-27 |
| Ambient conditions | |
| Shock resistance | b < 30 g, T < 11 ms |
| Vibration resistance | f < 55 Hz, a < 1 mm |
| Mechanical specifications | |
| Material | Chrome coated diecast zinc |
| Mass | approx. 270 g |
| Dimensions | 90 mm x 40 mm x 28 mm (with 2-point fixing) |

Release date: 2021-02-05 Date of issue: 2021-02-05 Filename: 033552_eng.pdf

Refer to "General Notes Relating to Pepperl+Fuchs Product Information".

Pepperl+Fuchs Group
www.pepperl-fuchs.com

USA: +1 330 486 0001
fa-info@us.pepperl-fuchs.com

Germany: +49 621 776 1111
fa-info@de.pepperl-fuchs.com

Singapore: +65 6779 9091
fa-info@sg.pepperl-fuchs.com

PF PEPPERL+FUCHS