



Model Number

UC6000-30GM-IU-V1

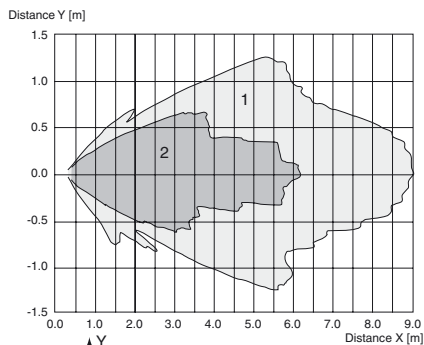
Single head system

Features

- Analog current and voltage output
- 12 bit D/A transducer
- Evaluation limits can be taught-in
- Temperature compensation
- Compact design
- Plug connection

Diagrams

Characteristic response curve



Curve 1: flat surface 100 mm x 100 mm
Curve 2: round bar, Ø 25 mm

Release date: 2013-02-26 15:42 Date of issue: 2013-02-26 035209_eng.xml

Technical data

General specifications

Sensing range	800 ... 6000 mm
Unusable area	0 ... 800 mm
Standard target plate	100 mm x 100 mm
Transducer frequency	approx. 65 kHz
Response delay	≤ 500 ms

Indicators/operating means

LED yellow	solid yellow: object in the evaluation range yellow, flashing: program function evaluation limits, slope
LED red/green	solid green: Power on green, flashing: program function, object detected solid red: Connector removed red, flashing: error, program function object not detected
Temperature/TEACH-IN connector	Temperature compensation , Switch points programming , output function setting

Electrical specifications

Operating voltage U_B	10 ... 30 V DC , ripple 10 % _{SS}
Power consumption P_0	≤ 800 mW

Output

Output type	1 current output 4 ... 20 mA 1 voltage output 0 ... 10 V
Resolution	depending on the set evaluation range: 0.172 mm , if evaluation range < 705 mm , evaluation range [mm] / 4096, if evaluation range > 705 mm
Deviation of the characteristic curve	≤ 0.2 % of full-scale value
Repeat accuracy	≤ 0.1 % of full-scale value
Load impedance	current output: ≤ 500 Ohm Voltage output: ≥ 1000 Ohm
Temperature influence	< 2 % of full-scale value (≤ 0.2 % / K without temperature compensation)

Standard conformity

Standards	EN 60947-5-2
-----------	--------------

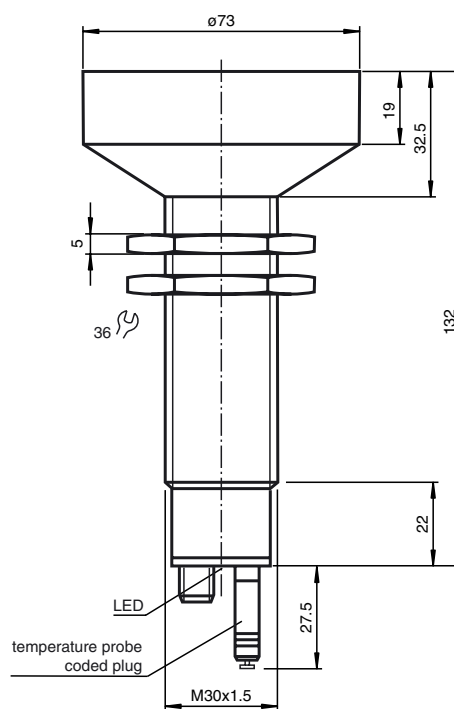
Ambient conditions

Ambient temperature	-25 ... 70 °C (-13 ... 158 °F)
Storage temperature	-40 ... 85 °C (-40 ... 185 °F)

Mechanical specifications

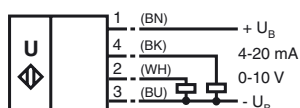
Connection type	Connector M12 x 1 , 4-pin
Protection degree	IP65
Material	
Housing	High grade stainless steel
Transducer	epoxy resin/hollow glass sphere mixture; foam polyurethane, cover and head PBT
Mass	303 g

Dimensions



Electrical Connection

Standard symbol/Connection:
(version IU)



Core colours in accordance with EN 60947-5-2.

Pinout

Connector V1



Description of the sensor functions

This ultrasonic sensor features a four-pole temperature/TEACH-IN plug, that can be connected in four different positions. These have the following significance.

Plug position	Meaning
A1	TEACH-IN evaluation limit A1
A2	TEACH-IN evaluation limit A2
E2/E3	Switching: falling/rising ramp
T	Temperature compensation

Description of the TEACH-IN procedure

- Remove temperature plug
- Cut and restore supply voltage (e.g. by removing and replacing unit plug)

TEACH-IN of evaluation limits A1 and A2

- Set object to desired evaluation limit
- Connect TEACH-IN plug in pos. A1 or A2
- Green LED flashes when object detected, red LED flashes when no object detected
- Pull the plug (the current object position is taught and stored when the plug is removed!!)

TEACH-IN of output function

- Connect TEACH-IN plug in pos. E2/E3
- The yellow LED indicates the output function
E2: falling ramp
E3: rising ramp
- Pull the plug when the desired function is activated, otherwise reconnect the TEACH-IN plug in pos. E2/E3
- Pull plug

Completing the TEACH-IN procedure

- Connect TEACH-IN plug in pos. T. Temperature compensation is now activated.

If the temperature plug has not been plugged in within 5 minutes, the sensor will return to normal mode without temperature compensation.

Default setting

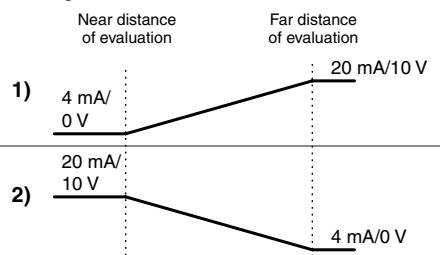
- A1: unusable area
- A2: nominal sensing range
- Mode of operation: rising ramp

LED Displays

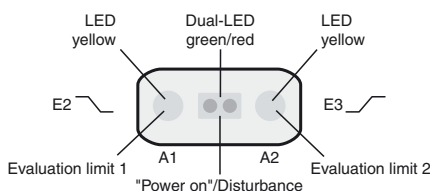
Additional Information

Programmed analogue output function

Analogue function



LED-Window



Displays depending on position of temperature/ TEACH-IN plug position	Green dual LED	Red dual LED	Yellow LED A1/ \	Yellow LED A2/ /
TEACH-IN evaluation limit A1 Object detected No object detected	flashes off	off flashes	flashes flashes	off off
TEACH-IN evaluation limit A2 Object detected No object detected	flashes off	off flashes	off off	flashes flashes
TEACH-IN mode of operation rising ramp falling ramp	on on	off off	flashes off	off flashes
Normal operation temperature compensated Plug pulled or shorted	on off	off on	on/off ¹⁾	on/off ²⁾
Interference (e.g. compressed air)	off	flashes	previous state	previous state

1) ON, when object in evaluation range

2) ON, when object in detection range

LED-Window

