



Model Number

NCN20+U1+N0

Features

- Comfort series
- 20 mm non-flush

Technical Data

General specifications

Switching element function		NAMUR, NC
Rated operating distance	s_n	20 mm
Installation		non-flush
Output polarity		NAMUR
Assured operating distance	s_a	0 ... 16.2 mm
Reduction factor r_{Al}		0.37
Reduction factor r_{Cu}		0.35
Reduction factor r_{304}		0.79

Nominal ratings

Installation conditions		
A		5 mm
B		
C		
Nominal voltage	U_o	8 V
Switching frequency	f	0 ... 250 Hz
Hysteresis	H	1 ... 15 typ. 5 %
Reverse polarity protection		reverse polarity protected
Short-circuit protection		yes
Current consumption		
Measuring plate not detected		≥ 3 mA
Measuring plate detected		≤ 1 mA
Switching state indicator		LED, yellow

Standard conformity

EMC in accordance with	IEC / EN 60947-5-2:2004; NE 21
Standards	DIN EN 60947-5-6 (NAMUR)

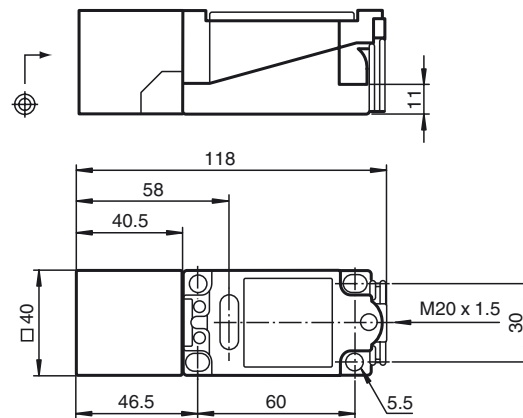
Ambient conditions

Ambient temperature	-25 ... 100 °C (-13 ... 212 °F)
Storage temperature	-40 ... 100 °C (-40 ... 212 °F)

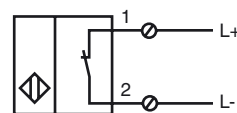
Mechanical specifications

Core cross-section	up to 2.5 mm ²
Housing material	PBT
Sensing face	PBT
Degree of protection	IP68

Dimensions



Electrical Connection





ATEX

Data for Ex areas

Effective internal inductivity	C_i	$\leq 110 \text{ nF}$
Effective internal inductance	L_i	$\leq 160 \mu\text{H}$

Release date: 2015-02-24 11:13 Date of issue: 2015-02-25 035716_eng.xml