

Features

- 16-channel
- Connection board for K-System HART Multiplexer
- Interface for parallel connections

Function

This HART Termination Board have 16 terminal blocks to connect up to 16 HART field devices.

It does not have a 250 Ω HART pick-up resistor built in and can be used only in applications that have a 250 Ω resistor in the DCS/PLC or I/O card. It does not come with terminal blocks for 4 mA ... 20 mA signal to DCS/PLC.

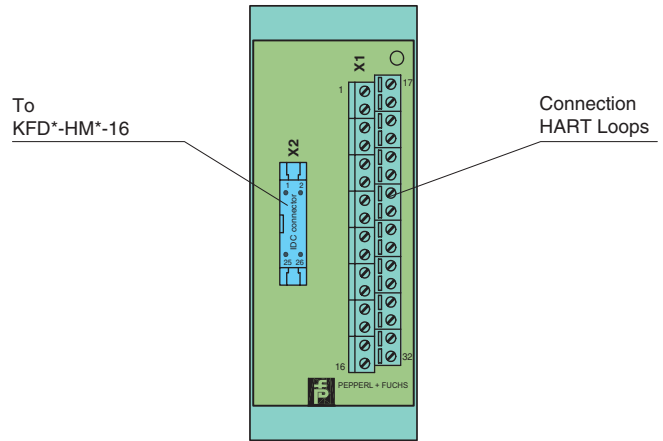
The Termination Board can be used for general-purpose applications or in conjunction with intrinsic safety barriers for hazardous applications.

A 26-pin flat cable K-HM26 is used for connection of each HART Multiplexers KFD*-HM*-16 to the Termination Board.

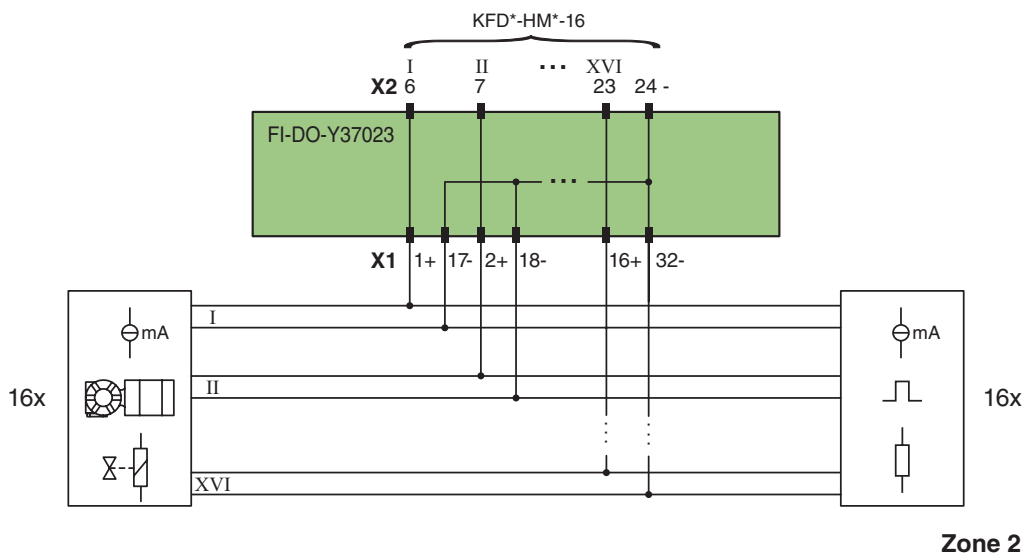
Other Termination Boards are available. Contact Pepperl+Fuchs for details.

Assembly

Front view



Connection



Release date 2011-02-24 12:29 Date of issue 2011-02-24 037023_ENG.xml

HART signal channels (intrinsically safe)	
HART signal channels	
Load resistor	no
Electrical isolation	
HART signal channels	no
Ambient conditions	
Ambient temperature	0 ... 55 °C (32 ... 131 °F)
Relative humidity	5 ... 90 %, non-condensing
Mechanical specifications	
Core cross-section	2.5 mm ² (16 AWG)
Connection	field side: screw terminals control side: screw terminals multiplexer connection: 26-pin NFP-26A (Yamaichi)
Mass	approx. 200 g
Dimensions	67 x 50 x 126 mm (2.6 x 1.9 x 5 in)
Mounting	DIN rail mounting
Data for application in connection with Ex-areas	
Statement of conformity	PF 10 CERT 1617 X
Group, category, type of protection	⊕ II 3G Ex nA II T4
General information	
Supplementary information	Statement of Conformity, Declaration of Conformity, Attestation of Conformity and instructions have to be observed where applicable. For information see www.pepperl-fuchs.com .