

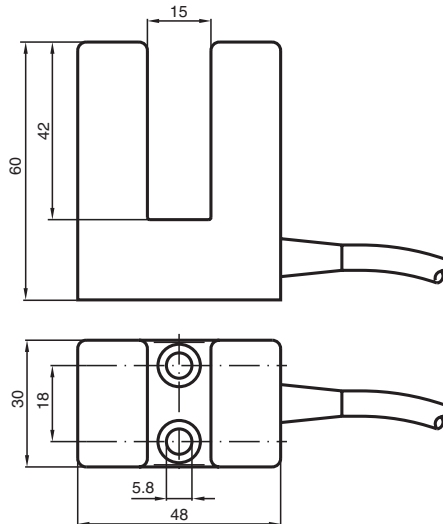
Inductive slot sensor

SJ15-E-Y37062

- 15 mm slot width
- 3-wire DC



Dimensions



Technical Data

General specifications

Switching function	Normally open (NO)
Output type	NPN
Slot width	15 mm
Depth of immersion (lateral)	17 ... 20 mm
Output polarity	DC
Output type	3-wire

Nominal ratings

Operating voltage	U_B	10 ... 30 V DC
Switching frequency	f	0 ... 500 Hz
Reverse polarity protection		reverse polarity protected
Short-circuit protection		pulsing
Voltage drop	U_d	≤ 3 V
Operating current	I_L	0 ... 200 mA
No-load supply current	I_0	≤ 20 mA

Compliance with standards and directives

Release date: 2024-05-27 Date of issue: 2024-05-29 Filename: 037062_eng.pdf

Refer to "General Notes Relating to Pepperl+Fuchs Product Information".

Pepperl+Fuchs Group
www.pepperl-fuchs.com

USA: +1 330 486 0001
fa-info@us.pepperl-fuchs.com

Germany: +49 621 776 1111
fa-info@de.pepperl-fuchs.com

Singapore: +65 6779 9091
fa-info@sg.pepperl-fuchs.com

PF PEPPERL+FUCHS

Technical Data

Standard conformity		
Standards		EN IEC 60947-5-2
Approvals and certificates		
UL approval		cULus Listed, General Purpose
CCC approval		CCC approval / marking not required for products rated ≤36 V
Ambient conditions		
Ambient temperature		-25 ... 70 °C (-13 ... 158 °F)
Mechanical specifications		
Connection type		cable
Housing material		PBT
Degree of protection		IP67
Cable		
Wire end ferrules		yes
Cable diameter		6.4 mm ± 0.2 mm
Bending radius		> 10 x cable diameter
Material		PVC
Color		Gray
Number of cores		3
Core cross section		0.75 mm ²
Length	L	200 mm
Mass		111 g
Dimensions		
Height		60 mm
Width		30 mm
Length		48 mm

Connection

