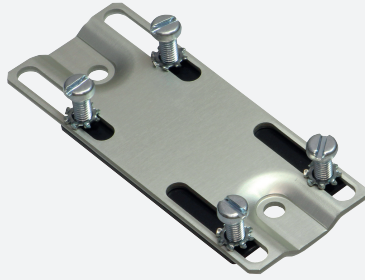


# Mounting aid

## MH 04-2057B Y41543



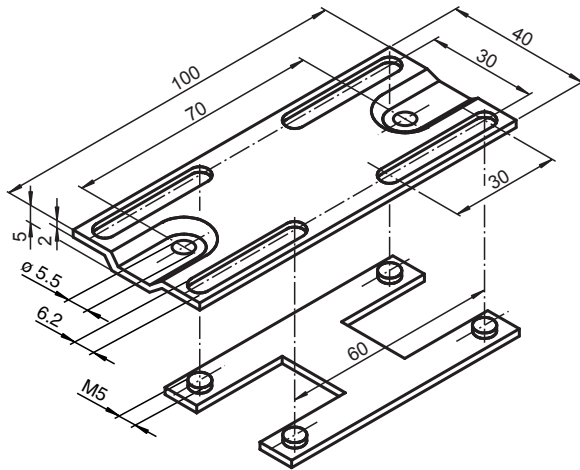
- Suitable for VariKont and +U1+ sensors
- Fixing screws for VariKont included in delivery

Mounting aid for VariKont and +U1+

### Function

The mounting bracket type 04-2057 simplifies the adjustment of sensors of the model line VariKont® and the series +U1+ according to DIN 43694, EN 50041. It permits the fitted and wired sensor to be repositioned by up to 30 mm. By loosening the M4 x 16 sensor mounting screws, the sensor can be easily moved backwards and forwards. Thus, the switch point can be set exactly. The screws are then tightened to secure the sensor in position. The material of the setting slide is corrosion-resistant aluminium. Fixing screws for VariKont are included with delivery.

### Dimensions



### Technical Data

#### General specifications

Customization PTFE coated

#### Mechanical specifications

Material Aluminum

Dimensions 100 mm x 40 mm

Release date: 2020-08-10 Date of issue: 2020-08-10 Filename: 041543\_eng.pdf

Refer to "General Notes Relating to Pepperl+Fuchs Product Information".

Pepperl+Fuchs Group  
www.pepperl-fuchs.com

USA: +1 330 486 0001  
fa-info@us.pepperl-fuchs.com

Germany: +49 621 776 1111  
fa-info@de.pepperl-fuchs.com

Singapore: +65 6779 9091  
fa-info@sg.pepperl-fuchs.com

**PF** PEPPERL+FUCHS