



Model Number

NBN30-L2-B3-V1

Features

- Basic series
- NO/NC selectable
- Sensor head bidirectional and rotatable
- Degree of protection IP67
- Oscillator monitoring

Accessories

V1-G

Female connector, M12, 4-pin, field attachable

V1-W

Female connector, M12, 4-pin, field attachable

V1-W-2M-PUR

Female cordset, M12, 4-pin, PUR cable

MH 02-L

Mounting aid

V1-G-2M-PUR

Female cordset, M12, 4-pin, PUR cable

MHW 01

Modular mounting bracket

Technical Data

General specifications

Switching function	Normally open/closed (NO/NC) programmable
Output type	AS-Interface
Rated operating distance	s_n 30 mm
Installation	non-flush
Assured operating distance	s_a 0 ... 24.3 mm
Reduction factor r_{AI}	0.45
Reduction factor r_{Cu}	0.4
Reduction factor r_{304}	0.8
Output type	2-wire

Nominal ratings

Operating voltage	U_B 26.5 ... 31.9 V via AS-i bus system
Switching frequency	f 0 ... 100 Hz
Hysteresis	H typ. 5 %
Time delay before availability	t_v ≤ 1000 ms
Operating voltage indicator	LED green
Switching state indicator	LED yellow

Ambient conditions

Ambient temperature	-25 ... 70 °C (-13 ... 158 °F)
Storage temperature	-40 ... 85 °C (-40 ... 185 °F)

Mechanical specifications

Housing material	PBT
Degree of protection	IP67
Mass	210 g

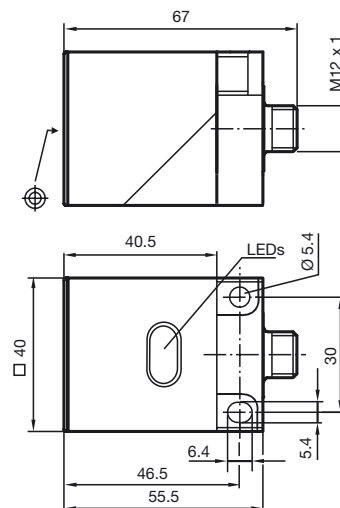
Compliance with standards and directives

Standard conformity	EN 60947-5-2:2007
Standards	IEC 60947-5-2:2007

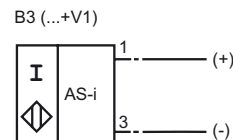
Approvals and certificates

UL approval	cULus Listed, General Purpose
CSA approval	cCSAus Listed, General Purpose

Dimensions



Electrical Connection



Programming Instructions

Address 00 preset, alterable
via Busmaster or
programming units
IO-Code 1
ID-Code 1

Data bit

Bit	Function
D0	switching state ¹⁾ (0 = damped; 1 = undamped)
D1	not used
D2	oscillator monitoring (0= oscillator defective, 1=normal operation)
D3	not used

Parameter bit

Bit	Function
P0	not used
P1	switching element function ²⁾ (0 = NC; 1 = NO)
P2	not used
P3	not used

- ¹⁾ Applies to NO funktion (P1 = 1; preset),
with NC funktion (P1 = 0) reversed characteristics
²⁾ Default setting: NO