



Model Number

PL1-F25-E8-S

Features

- For installation in housing
- PL1... with valve connection
- Valve LEDs disconnectable (wire jumper)
- Direct mounting on standard actuators

Accessories

- BT32**
Activator for F25 series
- BT32XS**
Activator for F25 series
- BT32XAS**
Activator for F25 series
- BT33**
Activator for F25 series
- BT34**
Activator for F25 series

Technical Data

General specifications

Switching element function		PNP	Dual NO
Rated operating distance	s_n	3 mm	
Installation		flush mountable	
Output polarity		DC	
Assured operating distance	s_a	0 ... 2.43 mm	
Actual operating distance	s_r	2.6 ... 2.6 mm typ.	
Reduction factor r_{AI}		0.5	
Reduction factor r_{304}		1	
Reduction factor r_{S37}		1.1	

Nominal ratings

Operating voltage	U_B	10 ... 30 V DC
Switching frequency	f	0 ... 100 Hz
Hysteresis	H	typ. 5 %
Reverse polarity protection		reverse polarity protected
Short-circuit protection		pulsing
Voltage drop	U_d	≤ 3 V
Operating current	I_L	0 ... 200 mA
Off-state current	I_r	0 ... 0.5 mA typ. 0.1 μ A at 25 °C
No-load supply current	I_0	≤ 25 mA
Time delay before availability	t_v	≤ 500 ms
Operating voltage indicator		LED, green
Switching state indicator		LED, yellow
Valve status indicator		LED, yellow

Ambient conditions

Ambient temperature	-25 ... 70 °C (-13 ... 158 °F)
Storage temperature	-40 ... 85 °C (-40 ... 185 °F)

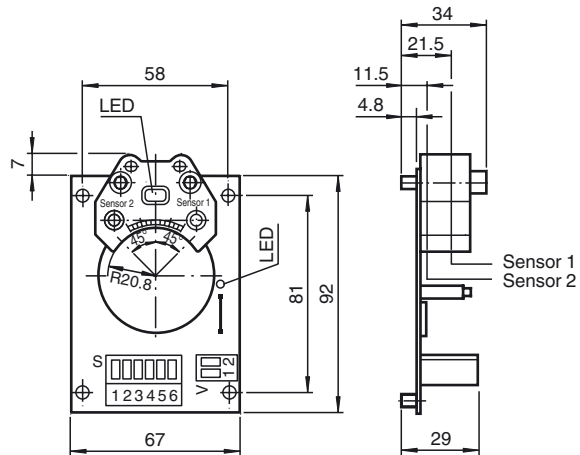
Mechanical specifications

Core cross-section (system side)	up to 2.5 mm ²
Core cross-section (valve side)	up to 2.5 mm ²
Housing material	PBT
Sensing face	PBT
Degree of protection	IP20
Note	Installation in housing

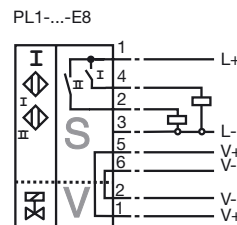
Compliance with standards and directives

Standard conformity	
Standards	EN 60947-5-2:2007 IEC 60947-5-2:2007

Dimensions



Electrical Connection



Release date: 2016-02-11 17:21 Date of issue: 2016-02-11 044565_eng.xml

Type code: PL1-F25-E8-S

Circuit board **PL1-F25-E8-S**

PL1 With 1 valve connection and LED

Sensor type **PL1-F25-E8-S**

F25 F25 proximity switch standard series

Electrical type **PL1-F25-E8-S**

E8 3-wire DC

Connection technology **PL1-F25-E8-S**

S Removable screw terminal

Release date: 2016-02-11 17:21 Date of issue: 2016-02-11 044565_eng.xml