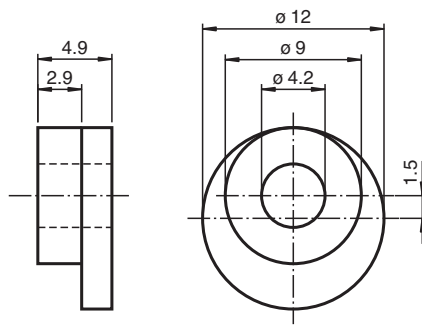




Mounting set 9311

Mounting set for the mounting bracket 9300

Dimensions



Technical Data

General information

Scope of delivery	<ul style="list-style-type: none"> 4 screws M4 x 12 3 screws M4 x 10 7 washers 4.3 mm 3 Synchro clamping element 3 cylinder head screws M4 x 35 3 hexagon nuts M4
-------------------	---

Matching System Components

	9300	Mounting bracket for servo flange
---	-------------	-----------------------------------

Release date: 2022-04-21 Date of issue: 2022-12-12 Filename: 045038_eng.pdf

Refer to "General Notes Relating to Pepperl+Fuchs Product Information".

Pepperl+Fuchs Group
www.pepperl-fuchs.com

USA: +1 330 486 0001
fa-info@us.pepperl-fuchs.com

Germany: +49 621 776 1111
fa-info@de.pepperl-fuchs.com

Singapore: +65 6779 9091
fa-info@sg.pepperl-fuchs.com

 **PEPPERL+FUCHS**