



Model Number

NCN3-F25-N4-K1V1

Technical Data

General specifications

Switching element function		DC	Dual NC
Rated operating distance	s_n	3 mm	
Installation		flush mountable	
Assured operating distance	s_a	0 ... 2.43 mm	
Reduction factor r_{Al}		0.5	
Reduction factor r_{Cu}		0.4	
Reduction factor r_{304}		1	
Reduction factor r_{317}		1.2	

Nominal ratings

Nominal voltage	U_o	8 V
Switching frequency	f	0 ... 1500 Hz
Hysteresis	H	typ. 5 %
Reverse polarity protection		reverse polarity protected
Short-circuit protection		yes
Current consumption		
Measuring plate not detected		≥ 3 mA
Measuring plate detected		≤ 1 mA
Time delay before availability	t_v	≤ 1 ms
Switching state indicator		LED, yellow

Standard conformity

EMC in accordance with	NE 21
PTB certificate of conformity	Ex-97.D.2054
Standards	DIN EN 60947-5-6 (NAMUR)

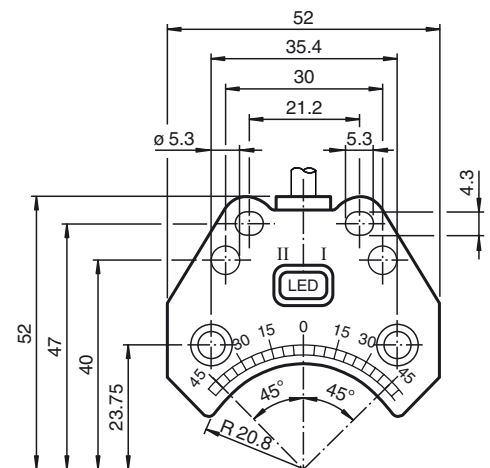
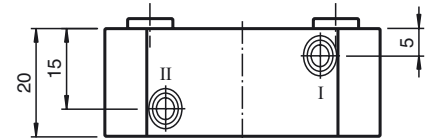
Ambient conditions

Ambient temperature	-25 ... 100 °C (-13 ... 212 °F)
Storage temperature	-40 ... 100 °C (-40 ... 212 °F)

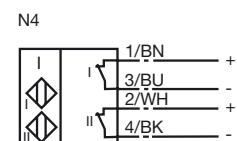
Mechanical specifications

Core cross-section (system side)	0.14 mm ²
Housing material	PBT
Sensing face	PBT
Degree of protection	IP67
Note	Bopla PG screwed connection

Dimensions



Electrical Connection



ATEX

Data for Ex areas

Effective internal inductivity	C_i	$\leq 100 \text{ nF}$
Effective internal inductance	L_i	$\leq 100 \mu\text{H}$

Release date: 2015-02-24 11:13 Date of issue: 2015-02-25 045451_eng.xml