

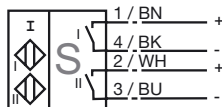


Model Number

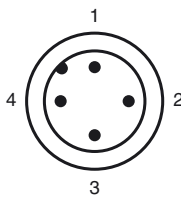
NCN3-F31-Z8-V18

Connection

Z8



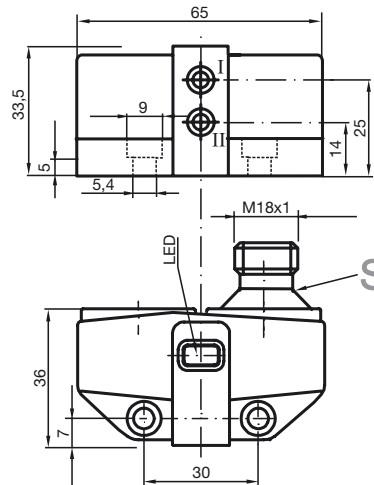
Pinout



Wire colors in accordance with EN 60947-5-2

- 1 | BN
- 2 | WH
- 3 | BU
- 4 | BK

Dimensions



Technical Data

General specifications		
Switching element function		Dual (NO)
Rated operating distance	s_n	3 mm
Installation		flush mountable
Assured operating distance	s_a	0 ... 2.43 mm
Reduction factor r_{AI}		0.7
Reduction factor r_{V2A}		1
Reduction factor r_{SI37}		1.2
Nominal ratings		
Operating voltage	U_B	6 ... 60 V
Switching frequency	f	0 ... 2000 Hz
Reverse polarity protected		tolerant
Short-circuit protection		no
Voltage drop	U_d	≤ 6 V
Operating current	I_L	4 ... 100 mA
Off-state current	I_r	0 ... 0.7 mA typ.
Indication of the switching state		LED, yellow
Standard conformity		
EMC in accordance with		IEC / EN 60947-5-2:2004
Ambient conditions		
Ambient temperature		-25 ... 70 °C (-13 ... 158 °F)
Mechanical specifications		
Housing material		PBT
Sensing face		PBT
Protection degree		IP67

Release date: 2011-01-04 10:43 Date of issue: 2011-01-04 048761_ENG.xml