

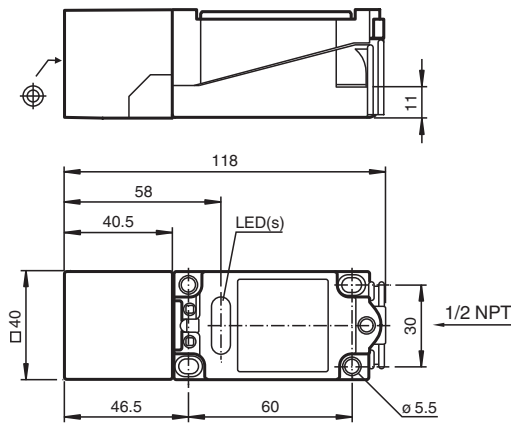
Inductive sensor NCN20+U4+U



- Comfort series
- 20 mm non-flush
- 2-wire AC



Dimensions



Technical Data

General specifications

| | | |
|----------------------------|-------|------------------------------|
| Switching function | | Normally open/closed (NO/NC) |
| Rated operating distance | s_n | 20 mm |
| Installation | | non-flush |
| Output polarity | | AC/DC |
| Assured operating distance | s_a | 0 ... 16.2 mm |
| Reduction factor r_{Al} | | 0.37 |
| Reduction factor r_{Cu} | | 0.35 |
| Reduction factor r_{304} | | 0.79 |
| Output type | | 2-wire |

Nominal ratings

| | | |
|--------------------------|-------|--------------|
| Operating voltage DC | U_B | 20 ... 300 V |
| Operating voltage AC | U_B | 20 ... 253 V |
| Switching frequency | f | 0 ... 25 Hz |
| Hysteresis | H | typ. 3 % |
| Short-circuit protection | | pulsing |
| Voltage drop | U_d | ≤ 4 V |

Release date: 2020-12-10 Date of issue: 2020-12-10 Filename: 049779_eng.pdf

Refer to "General Notes Relating to Pepperl+Fuchs Product Information".

Pepperl+Fuchs Group
www.pepperl-fuchs.com

USA: +1 330 486 0001
fa-info@us.pepperl-fuchs.com

Germany: +49 621 776 1111
fa-info@de.pepperl-fuchs.com

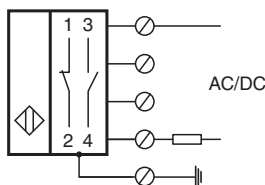
Singapore: +65 6779 9091
fa-info@sg.pepperl-fuchs.com

PF PEPPERL+FUCHS





Technical Data

| | | |
|---|--|--------------------------|
| Momentary current (20 ms, 0.1 Hz) | 0 ... 3000 mA | |
| Operating current | I_L | 5 ... 500 mA |
| Off-state current | I_r | 0 ... 2.5 mA typ. 1.5 mA |
| Time delay before availability | t_v | ≤ 100 ms |
| Operating voltage indicator | LED, green | |
| Switching state indicator | LED, yellow | |
| Compliance with standards and directives | | |
| Standard conformity | | |
| Standards | EN 60947-5-2:2007 IEC 60947-5-2:2007 | |
| Approvals and certificates | | |
| UL approval | cULus Listed, General Purpose | |
| CSA approval | cCSAus Listed, General Purpose | |
| CCC approval | Certified by China Compulsory Certification (CCC) | |
| Ambient conditions | | |
| Ambient temperature | -25 ... 70 °C (-13 ... 158 °F) | |
| Mechanical specifications | | |
| Connection type | screw terminals | |
| Information for connection | A maximum of two conductors with the same core cross section may be mounted on one terminal connection! tightening torque 1.2 Nm + 10 % | |
| Core cross-section | up to 2.5 mm ² | |
| Minimum core cross-section | without wire end ferrule 0.5 mm ² , with connector sleeves 0.34 mm ² | |
| Maximum core cross-section | without wire end ferrule 2.5 mm ² , with connector sleeves 1.5 mm ² | |
| Housing material | PBT/metal | |
| Sensing face | PBT | |
| Degree of protection | IP68 | |

Connection



Accessories

| | | |
|---|--------------------|---|
|  | V1-W-2M-PUR | Female cordset single-ended M12 angled A-coded, 4-pin, PUR cable grey |
|  | V1-G-2M-PUR | Female cordset single-ended M12 straight A-coded, 4-pin, PUR cable grey |
|  | MHW 01 | Modular mounting bracket |
|  | V1-M20-80 | Receptacles, M12/M20; plastic version |